

DISPLAY FREEZER (0°F)

Model: 1F-GD

1-Section Display Freezer with Hinged Glass Door

1F-GD - Stainless steel front, aluminum end panels and interior
1F-SA-GD - Stainless steel exterior, aluminum interior
1F-SS-GD - Stainless steel exterior and interior
Designed to maintain NSF-7 temperatures in 100°F ambient.



Options and Accessories

(upcharge and lead times may apply)

Stainless steel case back	Remote models
Additional epoxy-coated steel shelves	Half glass doors
Chrome or stainless steel shelves	Pass-thru (consult factory)
Heavy-duty pilaster strips	Shallow depth
Rehinging of door (consult factory)	Solid door (full or half doors)
Pan slide assemblies	Increased refrigeration systems
Adjustable legs	Special electrical req. (consult factory)
Digital thermometer	

Consult factory for other model configurations, options and accessories.

Project Name:

Model Specified:

Location:

Item No:

Quantity:

AIA #:

SIS #:

Standard Model Features

REFRIGERATION SYSTEM

Environmentally-safe R-404A refrigerant
 Self contained, performance-rated refrigeration system
 Automatic, electric condensate evaporator
 Thermal expansion valve

CABINET ARCHITECTURE

3" non-CFC polyurethane foam insulation
 Chrome-plated handle
 Cam action, lift off hinges
 Self-closing door
 Magnetic snap-in door gasket
 Cylinder lock in door
 Heavy-duty, epoxy-coated steel shelves
 Triple-pane, tempered hinged glass door
 5" casters

MODEL FEATURES

LED interior lighting
 External dial thermometer
 Energy saving switch for door heater
 Automatic electric defrost

Continental
 Refrigerator

Toll-Free: 800-523-7138
 Phone: 215-244-1400
 Fax: 215-244-9579

539 Dunksferry Road
 Bensalem, PA 19020
www.continentalrefrigerator.com

APPROVAL:

Model Specifications

DIMENSIONAL DATA

Net Capacity (cu. ft.)	20 (566 cu l)
Width, Overall (in.)	26 (660 mm)
Depth, Overall (incl. handle) (in.)	35 3/8 (899 mm)
Depth [less door] (in.)	32 (813 mm)
Depth [door open 90°] (in.)	55 1/2 (1410 mm)
Clear Door Width (in.)	19 3/8 (492 mm)
Clear Door Height (in.)	58 5/8 (1489 mm)
Height, Overall (incl. 5" casters) (in.)	82 1/4 (2089 mm)
No. of Doors	1
No. of Shelves	4
Shelf Area (sq. ft.)	20.4 (1.9 sq m)
Tray Slide Capacity (per section)	24 ea.

REFRIGERANT DATA

Condensing Unit Size (H.P.)	1/2
Capacity (BTU/Hr)*	2470

ELECTRICAL DATA

Voltage (int'l)	115/60/1 (220/50/1)
Feed Wires (incl. ground)	3
Total Amps (int'l)	11.4 (5.3)
Defrost Amps (int'l)	5.2 (2.6)
10 ft. Cord/Plug [attached] (int'l)	Yes (No)

SHIPPING DATA

Height - Crated (in.)	85 1/2 (2172 mm)
Width - Crated (in.)	31 5/8 (803 mm)
Depth - Crated (in.)	42 (1067 mm)
Volume - Crated (cu. ft.)	65 (1841 cu l)
Weight Std - Crated (lbs.)	330 (150 kg)
Weight SS - Crated (lbs.)	390 (177 kg)
Weight Std - Uncrated (lbs.)	230 (104 kg)
Weight SS - Uncrated (lbs.)	290 (132 kg)

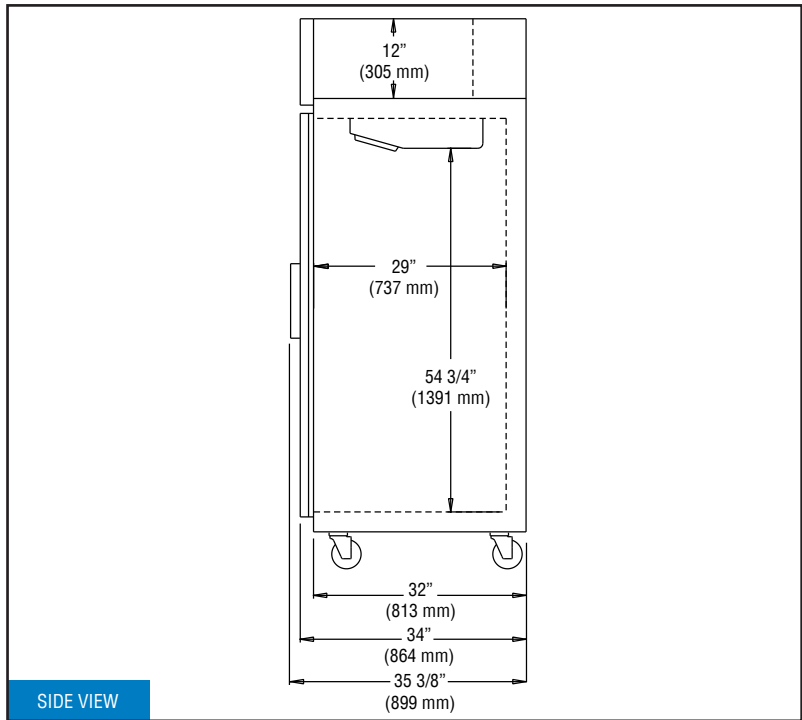
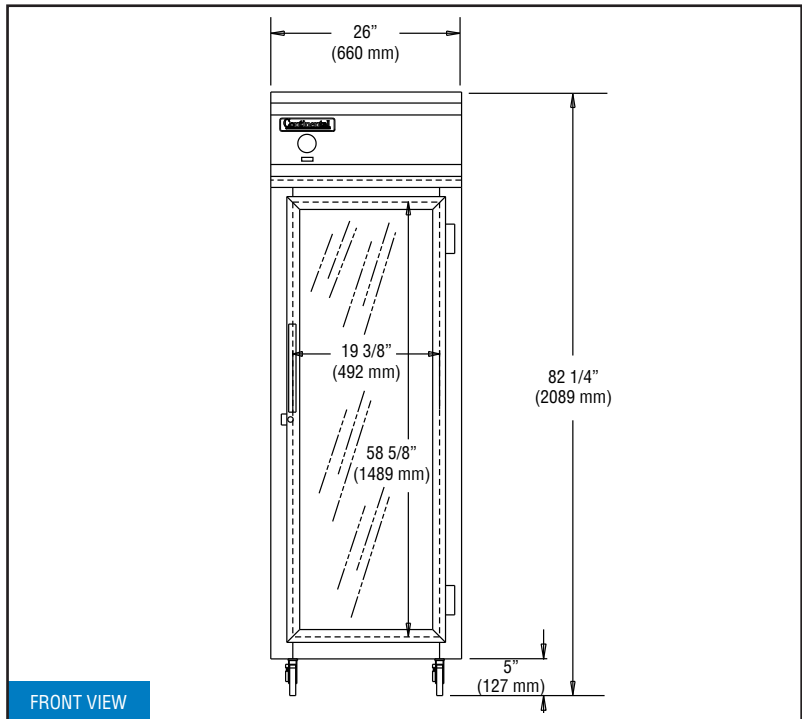
* Rating @ -15°F evaporator, 90°F ambient

Figures in parentheses reflect metric equivalents rounded to the nearest whole unit.



Equipped with one NEMA-5-15P Plug
(varies by country)

Model Plan Views



IMPORTANT NOTE: If the cabinet is located directly against a wall and/or under a low ceiling, a minimum clearance of 12" is required.

Continental
Refrigerator

Toll-Free: 800-523-7138
Phone: 215-244-1400
Fax: 215-244-9579

539 Dunksferry Road
Bensalem, PA 19020
www.continentalrefrigerator.com

Due to our continued efforts in developing innovative products, specifications subject to change without notice.



MADE IN THE U.S.A.

© Copyright 2015. Continental Refrigerator.
A Division of National Refrigeration & Air Conditioning Products, Inc.