

REACH-IN FREEZER (0°F)

Model: 1F-PT-HD

1-Section Pass-Thru Freezer with Half Doors

1F-PT-HD - Stainless steel front, aluminum end panels and interior
 1F-SA-PT-HD - Stainless steel exterior, aluminum interior
 1F-SS-PT-HD - Stainless steel exterior and interior
Designed to maintain NSF-7 temperatures in 100°F ambient.



Options and Accessories

(upcharge and lead times may apply)

Additional epoxy-coated steel shelves	Reach-In
Chrome or stainless steel shelves	Shallow depth
Heavy-duty pilaster strips	Hinged glass doors
Rehinging of doors (consult factory)	Increased refrigeration systems
Expansion valve system	Special electrical req. (consult factory)
Adjustable legs	Correctional Facility Options
Digital thermometer	<ul style="list-style-type: none"> One way security screws
Remote models	<ul style="list-style-type: none"> Locking hasp (lock not included)
Custom laminates	<ul style="list-style-type: none"> Stainless steel mesh cover
Full doors	<ul style="list-style-type: none"> Coverless hinges
Pan slide assemblies	

Consult factory for other model configurations, options and accessories.

Continental
 Refrigerator

Toll-Free: 800-523-7138
 Phone: 215-244-1400
 Fax: 215-244-9579

539 Dunksferry Road
 Bensalem, PA 19020
www.continentalrefrigerator.com

Project Name:

Model Specified:

Location:

Item No:

Quantity:

AIA #:

SIS #:

Standard Model Features

REFRIGERATION SYSTEM

Environmentally-safe R-404A refrigerant

Self contained, performance-rated refrigeration system

Automatic, electric condensate evaporator

CABINET ARCHITECTURE

3" non-CFC polyurethane foam insulation

Smooth, polished chrome workflow door handles

Cam action, lift off hinges

Self-closing doors

Magnetic snap-in door gaskets

Cylinder lock in door

Heavy-duty, epoxy-coated steel shelves

5" casters

MODEL FEATURES

LED interior lighting

External dial thermometer

Energy saving switch for door heaters

Automatic electric defrost

APPROVAL:

Model Specifications

DIMENSIONAL DATA

Net Capacity (cu. ft.)	20 (566 cu l)
Width, Overall (in.)	26 (660 mm)
Depth, Overall (in.) (incl. handles)	38 3/4 (984 mm)
Depth [less doors] (in.)	32 (813 mm)
Depth [doors open 90°] (in.)	79 (2007 mm)
Clear Door Width (in.)	19 3/8 (492 mm)
Clear Half Door Height (in.)	27 1/2 (699 mm)
Height, Overall (in.) (incl. 5" casters)	82 1/4 (2096 mm)
No. of Half Doors	4
No. of Shelves	3
Shelf Area (sq. ft.)	20.4 (1.9 sq m)
Tray Slide Capacity (per half section)	11

REFRIGERANT DATA

Condensing Unit Size (H.P.)	1/3
Capacity (BTU/Hr)*	1590

ELECTRICAL DATA

Voltage (int'l)	115/60/1 (220/50/1)
Feed Wires (incl. ground)	3
Total Amps (int'l)	6.3 (3.8)
Defrost Amps (int'l)	4.3 (2.6)
10 ft. Cord/Plug [attached] (int'l)	Yes (No)

SHIPPING DATA

Height - Crated (in.)	85 1/2 (2172 mm)
Width - Crated (in.)	31 5/8 (803 mm)
Depth - Crated (in.)	42 (1067 mm)
Volume - Crated (cu. ft.)	65 (1841 cu l)
Weight Std - Crated (lbs.)	355 (165 kg)
Weight SS - Crated (lbs.)	415 (188 kg)
Weight Std - Uncrated (lbs.)	225 (102 kg)
Weight SS - Uncrated (lbs.)	315 (143 kg)

* Rating @ -15°F evaporator, 90°F ambient

Figures in parentheses reflect metric equivalents rounded to the nearest whole unit.



Equipped with one NEMA-5-15P Plug
(varies by country)

Continental
Refrigerator

Toll-Free: 800-523-7138
Phone: 215-244-1400
Fax: 215-244-9579

539 Dunkserry Road
Bensalem, PA 19020
www.continentalrefrigerator.com

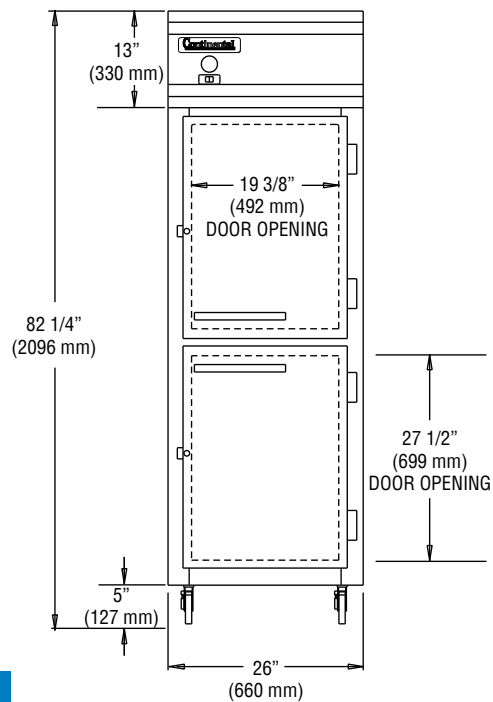
Due to our continued efforts in developing innovative products, specifications subject to change without notice.



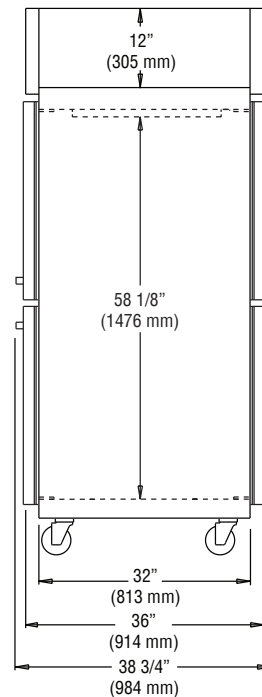
MADE IN THE U.S.A.

© Copyright 2015. Continental Refrigerator.
A Division of National Refrigeration & Air Conditioning Products, Inc.

Model Plan Views



FRONT VIEW



SIDE VIEW

IMPORTANT NOTE: If the cabinet is located directly against a wall and/or under a low ceiling, a minimum clearance of 12" is required.