

LOW TEMP FREEZER (-15°F)

Model: 1FE-LT

1-Section Extra-Wide Reach-In Low Temp Freezer

1FE-LT - Stainless steel front, aluminum end panels and interior
 1FE-LT-SA - Stainless steel exterior, aluminum interior
 1FE-LT-SS - Stainless steel exterior and interior
Designed to maintain NSF-7 temperatures in 100°F ambient.



Options and Accessories

(upcharge and lead times may apply)

Stainless steel case back	Shallow depth (consult factory)
Additional epoxy-coated steel shelves	Hinged glass doors
Chrome or stainless steel shelves	Increased refrigeration systems
Heavy-duty pilaster strips	Special electrical req. (consult factory)
Pan slide assemblies	Correctional Facility Options
Adjustable legs	• One way security screws
Digital thermometer	• Locking hasp (lock not included)
Custom laminates	• Stainless steel mesh cover
Half doors	• Coverless hinges
Pass-Thru (consult factory)	

Consult factory for other model configurations, options and accessories.

Continental[®]
Refrigerator

Toll-Free: 800-523-7138
 Phone: 215-244-1400
 Fax: 215-244-9579

539 Dunksferry Road
 Bensalem, PA 19020
www.continentalrefrigerator.com

Project Name:

Model Specified:

Location:

Item No:

Quantity:

AIA #:

SIS #:

Standard Model Features

REFRIGERATION SYSTEM

Environmentally-safe R-404A refrigerant

Self contained, performance-rated refrigeration system

Automatic, electric condensate evaporator

CABINET ARCHITECTURE

3" non-CFC polyurethane foam insulation

Smooth, polished chrome workflow door handle

Cam action, lift off hinges

Self-closing door

Magnetic snap-in door gasket

Cylinder lock in door

Heavy-duty, epoxy-coated steel shelves

5" casters

MODEL FEATURES

Thermal expansion valve

LED interior lighting

External dial thermometer

Energy saving switch for door heater

Automatic electric defrost

Rehinging of door (in the field)

APPROVAL:

Model Specifications

DIMENSIONAL DATA

Net Capacity (cu. ft.)	21 (595 cu l)
Width, Overall (in.)	28 1/2 (724 mm)
Depth, Overall (in.) (incl. handle)	35 3/8 (899 mm)
Depth [less door] (in.)	32 (813 mm)
Depth [door open 90°] (in.)	58 (1473 mm)
Clear Door Width (in.)	21 7/8 (556 mm)
Clear Door Height (in.)	58 5/8 (1489 mm)
Height, Overall (in.) (incl. 5" casters)	82 1/4 (2096 mm)
No. of Doors	1
No. of Shelves	3
Shelf Area (sq. ft.)	20.4 (1.9 sq m)
Tray Slide Capacity	24

REFRIGERANT DATA

Condensing Unit Size (H.P.)	3/4
Capacity (BTU/Hr)*	2050

ELECTRICAL DATA

Voltage (int'l)	115/208-230/60/1 (220/50/1)
Feed Wires (incl. ground)	4
Total Amps (int'l)	10.6 (4.4)
Defrost Amps (int'l)	5.2 (2.6)
10 ft. Cord/Plug (int'l)	No (No)

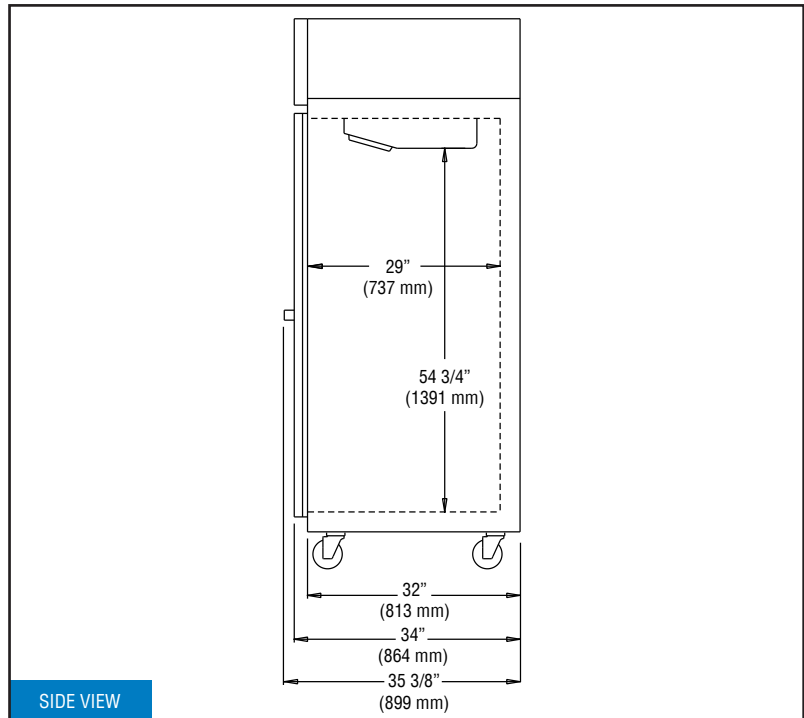
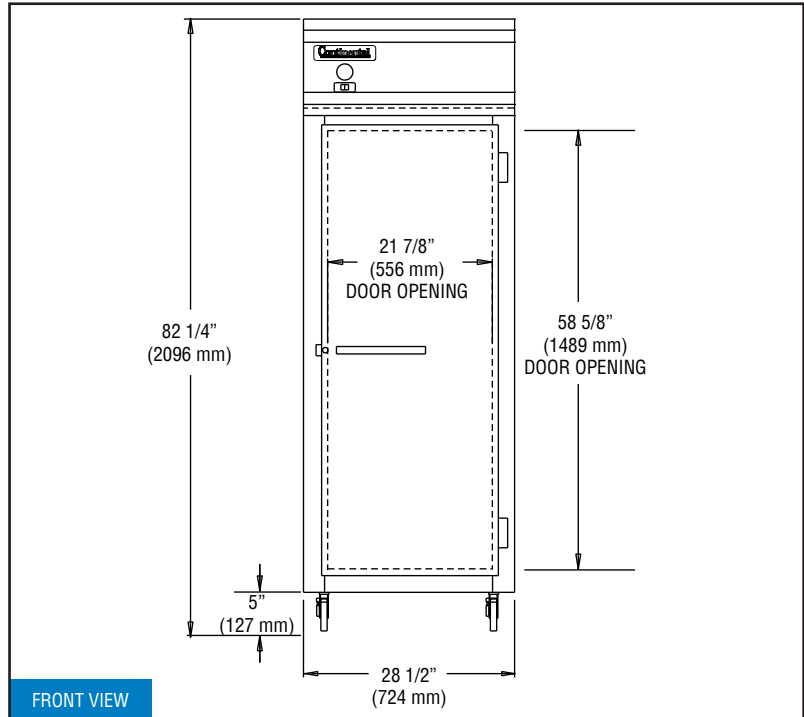
SHIPPING DATA

Height - Crated (in.)	85 1/2 (2172 mm)
Width - Crated (in.)	31 5/8 (803 mm)
Depth - Crated (in.)	42 (1067 mm)
Volume - Crated (cu. ft.)	65 (1841 cu l)
Weight Std - Crated (lbs.)	450 (204 kg)
Weight SS - Crated (lbs.)	510 (231 kg)
Weight Std - Uncrated (lbs.)	350 (159 kg)
Weight SS - Uncrated (lbs.)	410 (186 kg)

* Rating @ -30°F evaporator, 90°F ambient

Figures in parentheses reflect metric equivalents rounded to the nearest whole unit.

Model Plan Views



IMPORTANT NOTE: If the cabinet is located directly against a wall and/or under a low ceiling, a minimum clearance of 12" is required on top and 3" on sides and rear.

Continental
Refrigerator

Toll-Free: 800-523-7138
Phone: 215-244-1400
Fax: 215-244-9579

539 Dunkserry Road
Bensalem, PA 19020
www.continentalrefrigerator.com

Due to our continued efforts in developing innovative products, specifications subject to change without notice.



MADE IN THE U.S.A.

© Copyright 2016. Continental Refrigerator.
A Division of National Refrigeration & Air Conditioning Products, Inc.