

# REACH-IN FREEZER (0°F)

## Model: 1FS

### 1-Section Reach-In Freezer Shallow Depth

**1FS** - Stainless steel front, aluminum end panels and interior  
**1FS-SA** - Stainless steel exterior, aluminum interior  
**1FS-SS** - Stainless steel exterior and interior  
**Designed to maintain NSF-7 temperatures in 100°F ambient.**



### Options and Accessories

(upcharge and lead times may apply)

|                                       |   |
|---------------------------------------|---|
| Stainless steel case back             | Pass-Thru                                 |
| Additional epoxy-coated steel shelves | Standard depth                            |
| Chrome or stainless steel shelves     | Hinged glass door                         |
| Heavy-duty pilaster strips            | Increased refrigeration systems           |
| Expansion valve system                | Special electrical req. (consult factory) |
| Rehinging of doors (consult factory)  | <b>Correctional Facility Options</b>      |
| Adjustable legs                       | • One way security screws                 |
| Digital thermometer                   | • Locking hasp (lock not included)        |
| Remote models                         | • Stainless steel mesh cover              |
| Custom laminates                      | • Coverless hinges                        |
| Half doors                            |   |

Consult factory for other model configurations, options and accessories.

**Continental**  
Refrigerator

Toll-Free: 800-523-7138  
 Phone: 215-244-1400  
 Fax: 215-244-9579

539 Dunksferry Road  
 Bensalem, PA 19020  
[www.continentalrefrigerator.com](http://www.continentalrefrigerator.com)

Project Name:

Model Specified:

Location:

Item No:

Quantity:

AIA #:

SIS #:

### Standard Model Features

#### REFRIGERATION SYSTEM

Environmentally-safe R-404A refrigerant

Self contained, performance-rated refrigeration system

Automatic, electric condensate evaporator

#### CABINET ARCHITECTURE

3" non-CFC polyurethane foam insulation

Smooth, polished chrome workflow door handle

Cam action, lift off hinges

Self-closing door

Magnetic snap-in door gasket

Cylinder lock in door

Heavy-duty, epoxy-coated steel shelves

5" casters

#### MODEL FEATURES

LED interior lighting

External dial thermometer

Energy saving switch for door heater

Automatic electric defrost

APPROVAL:

## Model Specifications

### DIMENSIONAL DATA

|  |                  |
|--|------------------|
| Net Capacity (cu. ft.)                   | 16 (453 cu l)    |
| Width, Overall (in.)                     | 26 (660 mm)      |
| Depth, Overall (in.) (incl. handle)      | 29 1/4 (743 mm)  |
| Depth [less door] (in.)                  | 25 7/8 (657 mm)  |
| Depth [door open 90°] (in.)              | 49 1/2 (1257 mm) |
| Clear Door Width (in.)                   | 19 3/8 (492 mm)  |
| Clear Door Height (in.)                  | 58 5/8 (1489 mm) |
| Height, Overall (in.) (incl. 5" casters) | 82 1/4 (2096 mm) |
| No. of Doors                             | 1                |
| No. of Shelves                           | 3                |
| Shelf Area (sq. ft.)                     | 20.4 (1.9 sq m)  |

### REFRIGERANT DATA

|                             |      |
|-----------------------------|------|
| Condensing Unit Size (H.P.) | 1/3  |
| Capacity (BTU/Hr)*          | 1590 |

### ELECTRICAL DATA

|                                     |                     |
|-------------------------------------|---------------------|
| Voltage (int'l)                     | 115/60/1 (220/50/1) |
| Feed Wires (incl. ground)           | 3                   |
| Total Amps (int'l)                  | 6.3 (3.8)           |
| Defrost Amps (int'l)                | 5.2 (2.6)           |
| 10 ft. Cord/Plug [attached] (int'l) | Yes (No)            |

### SHIPPING DATA

|                              |                  |
|------------------------------|------------------|
| Height - Crated (in.)        | 85 1/2 (2172 mm) |
| Width - Crated (in.)         | 31 5/8 (803 mm)  |
| Depth - Crated (in.)         | 42 (1067 mm)     |
| Volume - Crated (cu. ft.)    | 65 (1841 cu l)   |
| Weight Std - Crated (lbs.)   | 325 (147 kg)     |
| Weight SS - Crated (lbs.)    | 385 (175 kg)     |
| Weight Std - Uncrated (lbs.) | 225 (102 kg)     |
| Weight SS - Uncrated (lbs.)  | 285 (129 kg)     |

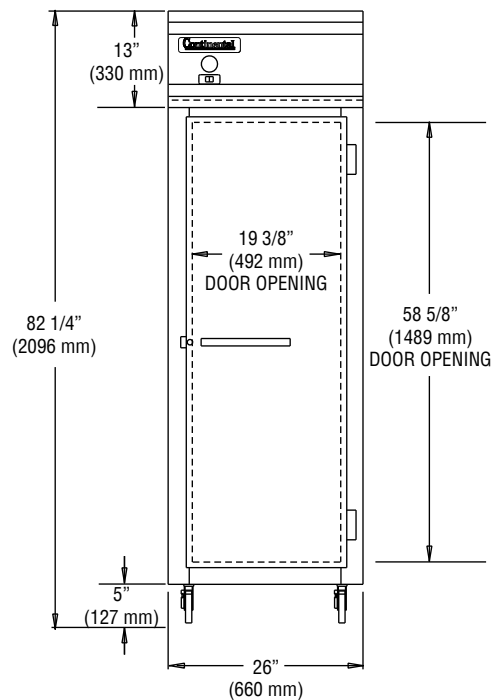
\* Rating @ -15°F evaporator, 90°F ambient

Figures in parentheses reflect metric equivalents rounded to the nearest whole unit.

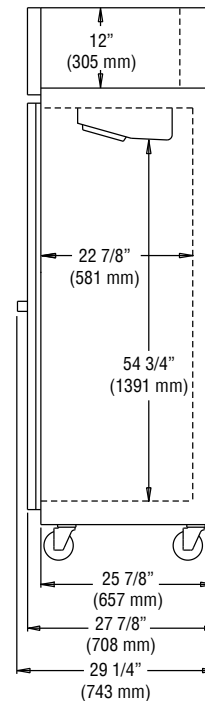


Equipped with one NEMA-5-15P Plug  
(varies by country)

## Model Plan Views



FRONT VIEW



SIDE VIEW

**IMPORTANT NOTE:** If the cabinet is located directly against a wall and/or under a low ceiling, a minimum clearance of 12" is required.

**Continental**  
Refrigerator

Toll-Free: 800-523-7138  
Phone: 215-244-1400  
Fax: 215-244-9579

539 Dunkserry Road  
Bensalem, PA 19020  
[www.continentalrefrigerator.com](http://www.continentalrefrigerator.com)

Due to our continued efforts in developing innovative products, specifications subject to change without notice.



MADE IN THE U.S.A.

© Copyright 2015, Continental Refrigerator.  
A Division of National Refrigeration & Air Conditioning Products, Inc.