

DISPLAY REFRIGERATOR

Model: 1RES-GD

1-Section Extra-Wide Display Reach-In Refrigerator with Hinged Glass Door Shallow Depth

1RES-GD - Stainless steel front, aluminum end panels and interior
1RES-SA-GD - Stainless steel exterior, aluminum interior
1RES-SS-GD - Stainless steel exterior and interior
 Designed to maintain NSF-7 temperatures in 100°F ambient.



Options and Accessories

(upcharge and lead times may apply)

Stainless steel case back	Digital thermometer
Additional epoxy-coated steel shelves	Remote models
Chrome or stainless steel shelves	Half glass doors
Heavy-duty pilaster strips	Pass-thru (consult factory)
Rehinging of door (consult factory)	Standard depth
Expansion valve system	Solid door (full or half doors)
Wine display	Increased refrigeration systems
Adjustable legs	Special electrical req. (consult factory)

Consult factory for other model configurations, options and accessories.

Continental
 Refrigerator

Toll-Free: 800-523-7138
 Phone: 215-244-1400
 Fax: 215-244-9579

539 Dunksferry Road
 Bensalem, PA 19020
www.continentalrefrigerator.com

Project Name:

Model Specified:

Location:

Item No:

Quantity:

AIA #:

SIS #:

Standard Model Features

REFRIGERATION SYSTEM

Environmentally-safe R-134a refrigerant

Self contained, performance-rated refrigeration system

Automatic, electric condensate evaporator

CABINET ARCHITECTURE

3" non-CFC polyurethane foam insulation

Chrome-plated handle

Cam action, lift off hinges

Self-closing door

Magnetic snap-in door gasket

Cylinder lock in door

Heavy-duty, epoxy-coated steel shelves

Triple-pane, tempered hinged glass door

5" casters

MODEL FEATURES

LED interior lighting

External dial thermometer

Energy saving switch for door heater

APPROVAL:

Model Specifications

DIMENSIONAL DATA

Net Capacity (cu. ft.)	18 (510 cu l)
Width, Overall (in.)	28 1/2 (724 mm)
Depth, Overall (in.) (incl. handle)	29 1/4 (743 mm)
Depth [less door] (in.)	25 7/8 (657 mm)
Depth [door open 90°] (in.)	49 1/2 (1257 mm)
Clear Door Width (in.)	21 7/8 (556 mm)
Clear Door Height (in.)	58 5/8 (1489 mm)
Height, Overall (in.) (incl. 5" casters)	82 1/4 (2089 mm)
No. of Doors	1
No. of Shelves	4
Shelf Area (sq. ft.)	20.4 (1.9 sq m)

REFRIGERANT DATA

Condensing Unit Size (H.P.)	1/3
Capacity (BTU/Hr)*	2560

ELECTRICAL DATA

Voltage (int'l)	115/60/1 (220/50/1)
Feed Wires (incl. ground)	3
Total Amps (int'l)	8.1 (5.2)
10 ft. Cord/Plug [attached] (int'l)	Yes (No)

SHIPPING DATA

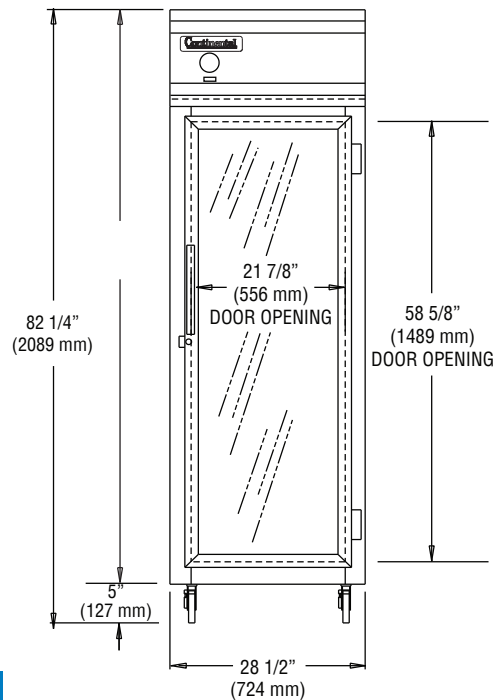
Height - Crated (in.)	85 1/2 (2172 mm)
Width - Crated (in.)	31 5/8 (803 mm)
Depth - Crated (in.)	42 (1067 mm)
Volume - Crated (cu. ft.)	65 (1841 cu l)
Weight Std - Crated (lbs.)	335 (152 kg)
Weight SS - Crated (lbs.)	370 (168 kg)
Weight Std - Uncrated (lbs.)	210 (95 kg)
Weight SS - Uncrated (lbs.)	270 (122 kg)

* Rating @ +25°F evaporator, 90°F ambient
 Figures in parentheses reflect metric equivalents rounded to the nearest whole unit.

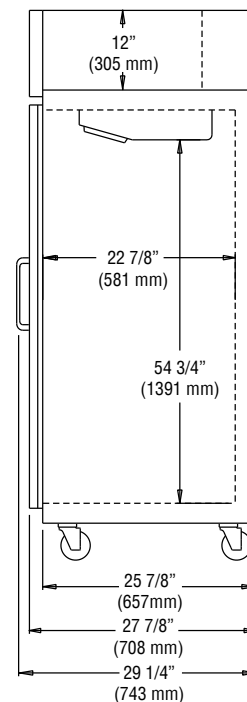


Equipped with one NEMA-5-15P Plug
 (varies by country)

Model Plan Views



FRONT VIEW



SIDE VIEW

IMPORTANT NOTE: If the cabinet is located directly against a wall and/or under a low ceiling, a minimum clearance of 12" is required.

Continental
 Refrigerator

Toll-Free: 800-523-7138
 Phone: 215-244-1400
 Fax: 215-244-9579

539 Dunkserry Road
 Bensalem, PA 19020
www.continentalrefrigerator.com

Due to our continued efforts in developing innovative products, specifications subject to change without notice.



Intertek



MADE IN THE U.S.A.

© Copyright 2015, Continental Refrigerator.
 A Division of National Refrigeration & Air Conditioning Products, Inc.