

# DISPLAY REFRIGERATOR

## Model: 1RXS-GD

### 1-Section Extra-Wide Display Reach-In Refrigerator with Hinged Glass Door Shallow Depth

**1RXS-GD** - Stainless steel front, aluminum end panels and interior  
**1RXS-SA-GD** - Stainless steel exterior, aluminum interior  
**1RXS-SS-GD** - Stainless steel exterior and interior  
 Designed to maintain NSF-7 temperatures in 100°F ambient.



#### Options and Accessories

(upcharge and lead times may apply)

Stainless steel case back	Adjustable legs
Add'l epoxy-coated steel shelves	Half glass doors
Chrome or stainless steel shelves	Pass-thru (consult factory)
Heavy-duty pilaster strips	Standard depth
Rehinging of door (consult factory)	Solid door (full or half doors)
Expansion valve system	Increased refrigeration systems
Wine display	Special electrical req. (consult factory)

Consult factory for other model configurations, options and accessories.

**Continental**<sup>®</sup>  
**Refrigerator**

Toll-Free: 800-523-7138  
 Phone: 215-244-1400  
 Fax: 215-244-9579

539 Dunksferry Road  
 Bensalem, PA 19020  
[www.continentalrefrigerator.com](http://www.continentalrefrigerator.com)

Project Name:

Model Specified:

Location:

Item No:

Quantity:

AIA #:

SIS #:

#### Standard Model Features

##### REFRIGERATION SYSTEM

Environmentally-safe R-134a refrigerant

Self contained, performance-rated refrigeration system

Automatic, electric condensate evaporator

##### CABINET ARCHITECTURE

3" non-CFC polyurethane foam insulation

Chrome-plated handle

Cam action, lift off hinges

Self-closing door

Magnetic snap-in door gasket

Cylinder lock in door

Heavy-duty, epoxy-coated steel shelves

Triple-pane, tempered hinged glass door

5" casters

##### MODEL FEATURES

LED interior lighting

Electronic controller w/digital display & hi-low alarm

APPROVAL:

## Model Specifications

### DIMENSIONAL DATA

Net Capacity (cu. ft.)	26 (736 cu l)
Width, Overall (in.)	36 1/4 (921 mm)
Depth, Overall (in.) (incl. handle)	29 1/4 (743 mm)
Depth [less door] (in.)	25 7/8 (657 mm)
Depth [door open 90°] (in.)	60 3/4 (1543 mm)
Clear Door Width (in.)	29 5/8 (752 mm)
Clear Door Height (in.)	58 5/8 (1489 mm)
Height, Overall (in.) (incl. 5" casters)	82 1/4 (2096 mm)
No. of Doors	1
No. of Shelves	4
Shelf Area (sq. ft.)	24.4 (2.3 sq m)

### REFRIGERANT DATA

Condensing Unit Size (H.P.)	1/3
Capacity (BTU/Hr)*	2810

### ELECTRICAL DATA

Voltage (int'l)	115/60/1 (220/50/1)
Feed Wires (incl. ground)	3
Total Amps (int'l)	8.4 (5.8)
10 ft. Cord/Plug [attached] (int'l)	Yes (No)

### SHIPPING DATA

Height - Crated (in.)	85 1/2 (2172 mm)
Width - Crated (in.)	42 (1067 mm)
Depth - Crated (in.)	42 (1067 mm)
Volume - Crated (cu. ft.)	84 (2378 cu l)
Weight Std - Crated (lbs.)	440 (200 kg)
Weight SS - Crated (lbs.)	500 (227 kg)
Weight Std - Uncrated (lbs.)	340 (154 kg)
Weight SS - Uncrated (lbs.)	400 (181 kg)

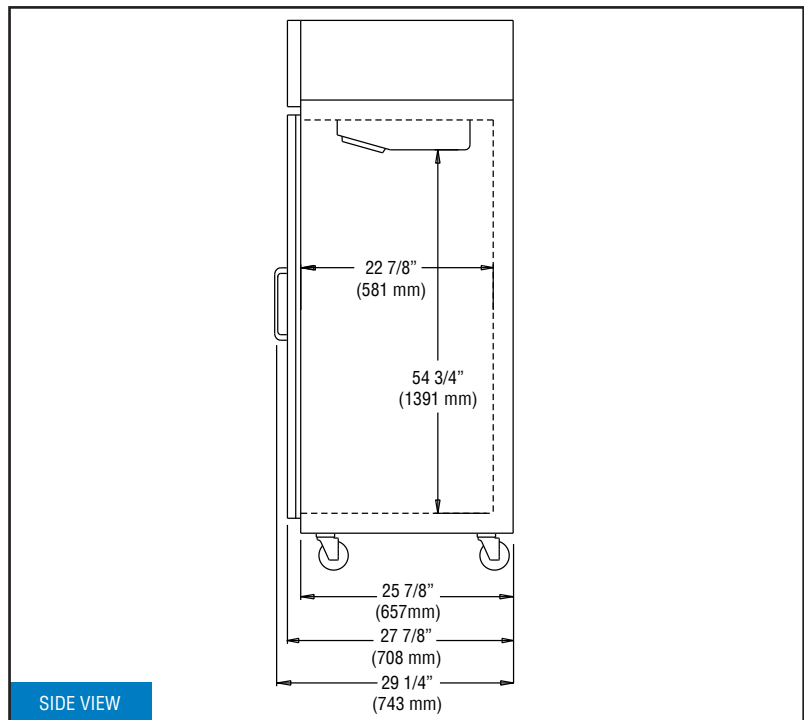
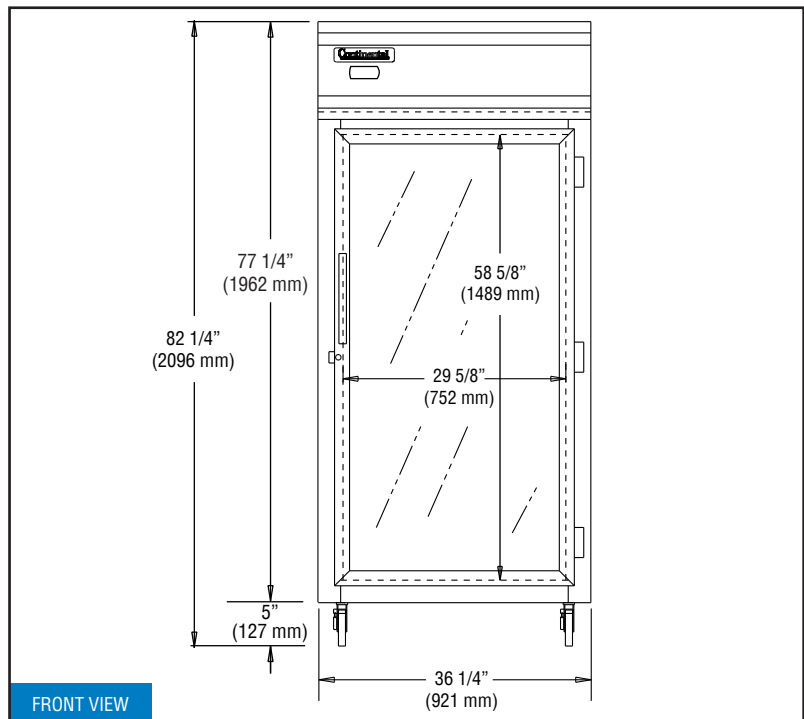
\* Rating @ +25°F evaporator, 90°F ambient

Figures in parentheses reflect metric equivalents rounded to the nearest whole unit.



Equipped with one NEMA-5-15P Plug  
(varies by country)

## Model Plan Views



**IMPORTANT NOTE:** If the cabinet is located directly against a wall and/or under a low ceiling, a minimum clearance of 12" is required on top and 3" on sides and rear.

**Continental**  
Refrigerator

Toll-Free: 800-523-7138  
Phone: 215-244-1400  
Fax: 215-244-9579

539 Dunkserry Road  
Bensalem, PA 19020  
[www.continentalrefrigerator.com](http://www.continentalrefrigerator.com)

Due to our continued efforts in developing innovative products, specifications subject to change without notice.



Intertek



MADE IN THE U.S.A.

© Copyright 2017. Continental Refrigerator.  
A Division of National Refrigeration & Air Conditioning Products, Inc.