

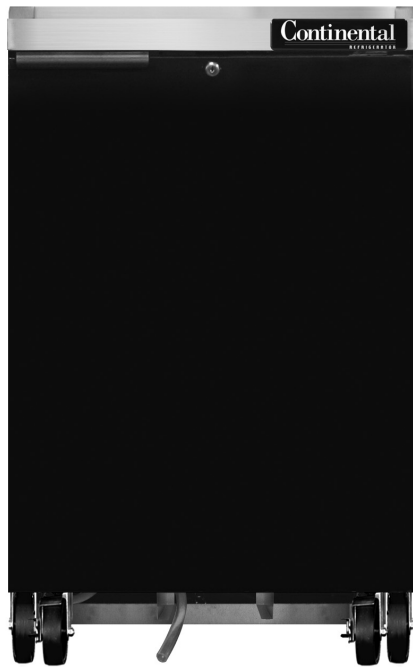
# BACK BAR EQUIPMENT

**Model: BBC24**

## 24" Back Bar Cooler

Textured baked black enamel finish exterior with all stainless steel countertop, heavy-duty galvanized interior with reinforced stainless steel floor.

**Designed to maintain NSF-7 temperatures in 100°F ambient.**



### Options and Accessories

(upcharge and lead times may apply)

Stainless steel exterior (-SS models)	Add'l epoxy-coated shelves with clips
Food storage rated stainless steel interior (NSF-7)	Stainless steel shelves with clips
Glass door in lieu of solid door	Expansion valve system

Project Name:

Model Specified:

Location:

Item No:

Quantity:

AIA #:

SIS #:

### Standard Model Features

#### REFRIGERATION SYSTEM

- Performance-rated refrigeration system
- Environmentally-safe R-134a refrigerant
- Automatic, energy-saving, non-electric condensate evaporator
- Full length, extra large coil

#### CABINET ARCHITECTURE

- High density, non-CFC polyurethane foamed-in-place insulation
- Heavy-duty epoxy-coated steel shelves
- Magnetic snap-in gasket
- Cylinder-keyed security lock
- Stainless steel reinforced threshold
- 5" casters

#### MODEL FEATURES

- Electronic controller w/ digital display & hi-low alarm
- Easily accessible and serviceable condensing unit
- Rear and side venting louvered panels

**Continental**  
Refrigerator

Toll-Free: 800-523-7138  
Phone: 215-244-1400  
Fax: 215-244-9579

539 Dunksferry Road  
Bensalem, PA 19020  
[www.continentalrefrigerator.com](http://www.continentalrefrigerator.com)

APPROVAL:

## Model Specifications

### DIMENSIONAL DATA

Net Capacity (cu. ft.)	8 (226 cu l)
Width, Overall (in.)	24 1/8 (613 mm)
Depth, Overall (in.) (incl. handle & condenser)	31 7/16 (798 mm)
Depth, Body Only (in.) (less door)	27 5/16 (694 mm)
Height, Overall (in.)	38 13/16 (986 mm)
Capacity: # Barrel Kegs	1
Capacity: # Straight Wall Kegs	1
Capacity : # 1/6 Size Kegs	3
No. of Doors	1
No. of Shelves	2

### REFRIGERANT DATA

Condensing Unit Size (H.P.)	1/5
Capacity (BTU/Hr)*	1620

### ELECTRICAL DATA

Voltage (int'l)	115/60/1 (220/50/1)
Feed Wires (incl. ground)	3
Total Amps (int'l)	5.3 (3.0)
10 ft. Cord/Plug [attached] (int'l)	Yes (No)

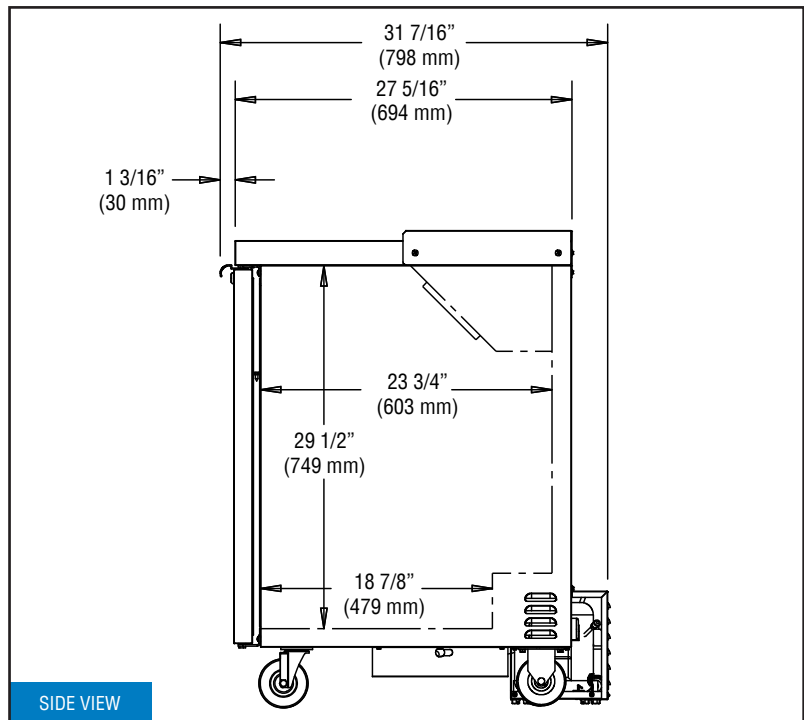
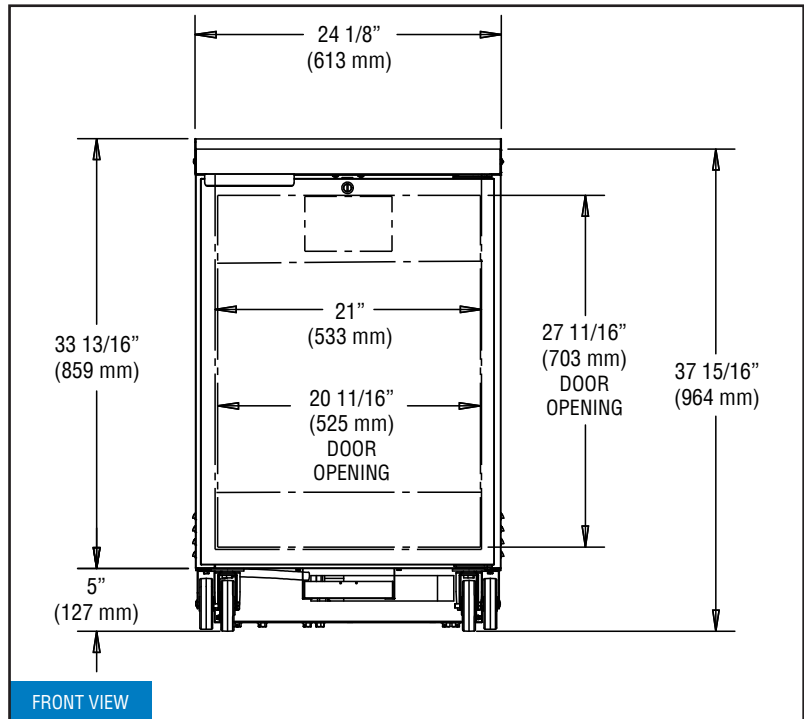
### SHIPPING DATA

Weight (lbs.)	210 (95 kg)
Height - Crated (in.)	43 1/4 (1099 mm)
Width - Crated (in.)	35 3/4 (908 mm)
Depth - Crated (in.)	37 1/4 (946 mm)

\* Rating @ +25°F evaporator, 90°F ambient

Figures in parentheses reflect metric equivalents rounded to the nearest whole unit.

## Model Plan Views



**IMPORTANT NOTE:** If the cabinet is located directly against a wall, a minimum clearance of 3" is required on sides, front and rear.

**Continental**  
Refrigerator

Toll-Free: 800-523-7138  
Phone: 215-244-1400  
Fax: 215-244-9579

539 Dunkserry Road  
Bensalem, PA 19020  
[www.continentalrefrigerator.com](http://www.continentalrefrigerator.com)

Due to our continued efforts in developing innovative products, specifications subject to change without notice.



Intertek



MADE IN THE U.S.A.

© Copyright 2017. Continental Refrigerator.  
A Division of National Refrigeration & Air Conditioning Products, Inc.