

BACK BAR EQUIPMENT

Model: BBC59S-PT

59" Back Bar Cooler Shallow Depth, Pass-Thru

Textured baked black enamel finish exterior with all stainless steel countertop, heavy-duty galvanized interior with reinforced stainless steel floor.

Designed to maintain NSF-7 temperatures in 100°F ambient.



Options and Accessories

(upcharge and lead times may apply)

| | |
|---|---|
| Casters or legs | Expansion valve system |
| Stainless steel exterior (-SS models) | Automatic, electric condensate evaporator |
| Food storage rated stainless steel interior (NSF-7) | Riser base (field installed) |
| Glass doors in lieu of solid doors | Condensing unit on right |
| Add'l epoxy-coated shelves with clips | Wine rack |
| Stainless steel shelves with clips | Standard depth |

* Adding a Riser Base increases overall height 2"

Project Name:

Model Specified:

Location:

Item No:

Quantity:

AIA #:

SIS #:

Standard Model Features

REFRIGERATION SYSTEM

- Performance-rated **front breathing** refrigeration system
- Environmentally-safe R-134a refrigerant
- Automatic, energy-saving, non-electric condensate evaporator
- Extra large, balanced evaporator coil

CABINET ARCHITECTURE

- High density, non-CFC polyurethane foamed-in-place insulation
- Heavy-duty epoxy-coated steel shelves
- Magnetic snap-in gasket (each door)
- Cylinder-keyed security lock (each door)
- Stainless steel reinforced threshold

MODEL FEATURES

- Low profile cabinet design
- Electronic controller w/ digital display & hi-low alarm
- Easily accessible and serviceable slide-out condensing unit
- Front, rear and side venting louvered grills
- Interior light

Continental
Refrigerator

Toll-Free: 800-523-7138
Phone: 215-244-1400
Fax: 215-244-9579

539 Dunksferry Road
Bensalem, PA 19020
www.continentalrefrigerator.com

APPROVAL:

Model Specifications

DIMENSIONAL DATA

| | |
|---|-----------------|
| Net Capacity (cu. ft.) | 15 (425 cu l) |
| Width, Overall (in.) | 59 (1499 mm) |
| Depth, Overall (in.) (incl. handles) | 27 3/8 (695 mm) |
| Depth, Body Only (in.) (less doors) | 21 (533 mm) |
| Height, Overall (in.) | 34 3/4 (883 mm) |
| Barrel Capacity (# barrel type kegs) | 2 |
| Straight Wall Capacity (# straight wall kegs) | 2 |
| No. of Doors | 4 |
| No. of Shelves | 4 |

REFRIGERANT DATA

| | |
|-----------------------------|------|
| Condensing Unit Size (H.P.) | 1/3 |
| Capacity (BTU/Hr)* | 2025 |

ELECTRICAL DATA

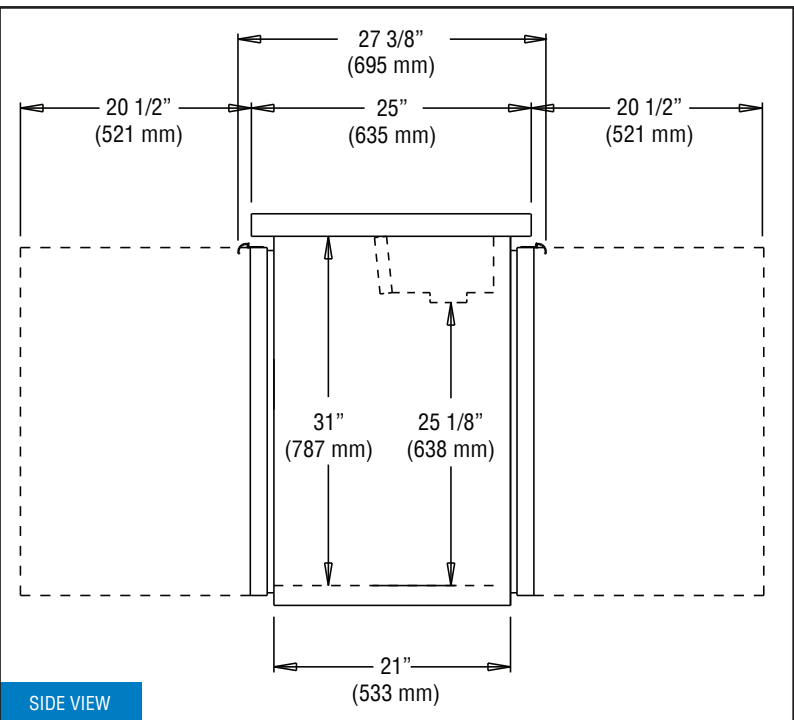
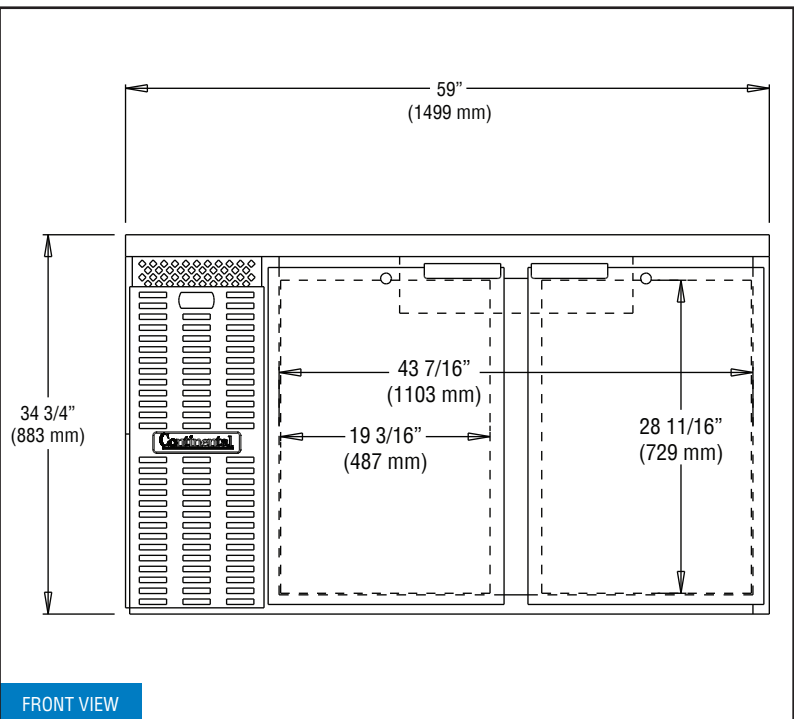
| | |
|-------------------------------------|---------------------|
| Voltage (int'l) | 115/60/1 (220/50/1) |
| Feed Wires (incl. ground) | 3 |
| Total Amps (int'l) | 3.77 (2.8) |
| 10 ft. Cord/Plug [attached] (int'l) | Yes (No) |

SHIPPING DATA

| | |
|-----------------------|--------------|
| Weight (lbs.) | 385 (175 kg) |
| Height - Crated (in.) | 46 (1168 mm) |
| Width - Crated (in.) | 65 (1651 mm) |
| Depth - Crated (in.) | 42 (1067 mm) |

* Rating @ +25°F evaporator, 90°F ambient
 Figures in parentheses reflect metric equivalents rounded to the nearest whole unit.

Model Plan Views



IMPORTANT NOTE: Models are completely front breathing and take in and exhaust air through the front grill. A clearance of 1" on the back and 3" on the sides is recommended.

Continental
 Refrigerator

Toll-Free: 800-523-7138
 Phone: 215-244-1400
 Fax: 215-244-9579

539 Dunkserry Road
 Bensalem, PA 19020
www.continentalrefrigerator.com

Due to our continued efforts in developing innovative products, specifications subject to change without notice.



Intertek



MADE IN THE U.S.A.

© Copyright 2017. Continental Refrigerator.
 A Division of National Refrigeration & Air Conditioning Products, Inc.