

# PIZZA PREPARATION TABLE

**Model: CPA118**

## 118" Pizza Preparation Refrigerator with Solid Doors

Heavy gauge #300 series stainless steel top, stainless steel front and end panels, aluminum interior.

**Certified under NSF-7 to maintain temperatures in 86°F ambient and designed to maintain NSF-7 temperatures in 100°F ambient.**



### Options and Accessories

(upcharge and lead times may apply)

Stainless steel interior	Pan slides
Stainless steel back	Wire rod garnish rack
Overshelves	Vision panel lids
Add'l epoxy-coated steel shelves	Door locks
Stainless steel shelves	Adjustable legs
Drawers in lieu of full doors	Front breathing
Drawer in lieu of half door above the condensing unit*	Special electrical requirements ( <i>consult factory</i> )
Condensing unit left or right	

\*Drawer section above condensing unit holds (1) 12 x 20 x 6 pan

Project Name:

Model Specified:

Location:

Item No:

Quantity:

AIA #:

SIS #:

### Standard Model Features

#### REFRIGERATION SYSTEM

Performance-rated refrigeration system

Environmentally-safe R-134a refrigerant

Unique forced air design utilizes fans (approx. every 12") across the entire back of unit for even distribution of cold

Automatic, electric condensate evaporator

Non-corrosive, plasticized fin evaporator coil

Easily serviceable, slide-out condensing unit

#### CABINET ARCHITECTURE

2" non-CFC polyurethane foam insulation

Spring loaded, self closing doors

Magnetic snap-in door gaskets

Heavy-duty, epoxy-coated steel shelves

19" deep, full length nylon cutting board

Refrigerated section w/door above the condensing unit

Insulated lids

5" casters

#### MODEL FEATURES

Electronic controller w/digital display & hi-low alarm

Ergonomically-friendly raised angle rail

Expansion valve for quick recovery

Built-in, off cycle defrost timer assures optimum coil defrost

Field rehingeable doors

**NOTE:** CPA models come standard with a door above the condensing unit. A drawer above the condensing unit is an option.

**Continental**<sup>®</sup>  
Refrigerator

Toll-Free: 800-523-7138  
Phone: 215-244-1400  
Fax: 215-244-9579

539 Dunksferry Road  
Bensalem, PA 19020  
[www.continentalrefrigerator.com](http://www.continentalrefrigerator.com)

APPROVAL:

## Model Specifications

### DIMENSIONAL DATA

Net Capacity (cu. ft.)	44 (1246 cu l)
Width, Overall (in.)	118 (2997 mm)
Depth, Overall (in.) (incl. cutting board & bumpers)	36 7/8 (937 mm)
Height, Overall (in.) (incl. 5" casters)	39 7/16 (1002 mm)
Depth, Cutting Board (in.)	19 (483 mm)
Pan Capacity (pans supplied by others)	(16) 1/3
Shelf Area (sq. ft.)	18.4 (1.7 sq m)
No. of Shelves	4
No. of Full Doors	4
No. of Half Doors	1
Interior Depth (in.)	27 3/8 (695 mm)
Interior Height (in.)	26 (660 mm)
Interior Height (in.) (above condenser)	12 1/2 (318 mm)
Interior Width (in.)	114 (2896 mm)

### REFRIGERANT DATA

Condensing Unit Size (H.P.)	3/4
Capacity (BTU/Hr)*	5600

### ELECTRICAL DATA

Voltage (int'l)	115/60/1 (220/50/1)
Fans	8
Total Amps (int'l)	13.3 (9.1)
10 ft. Cord/Plug [attached] (int'l)	Yes (No)

### SHIPPING DATA

Weight (lbs.)	725 (1111 kg)
Height - Crated (in.)	43 3/4 (1111 mm)
Width - Crated (in.)	120 (3048 mm)
Depth - Crated (in.)	47 (1194 mm)

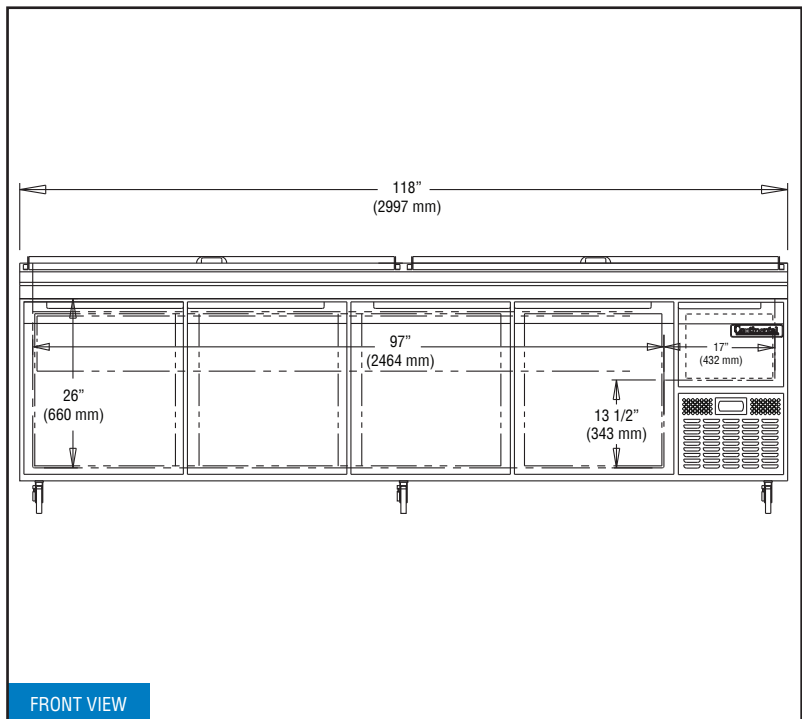
\* Rating @ +25°F evaporator, 90°F ambient

Figures in parentheses reflect metric equivalents rounded to the nearest whole unit.

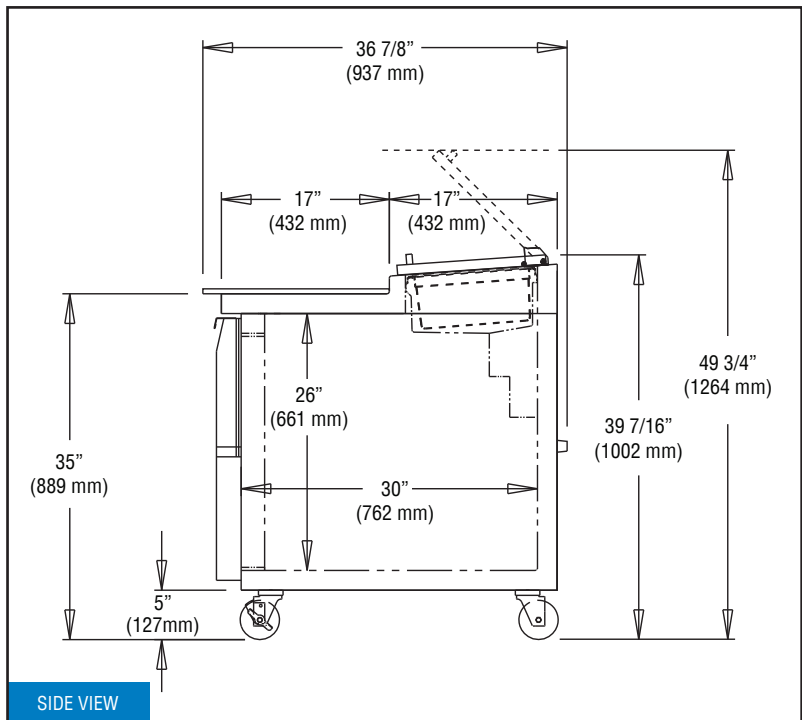


Equipped with one NEMA-5-20P Plug  
(varies by country)

## Model Plan Views



FRONT VIEW



SIDE VIEW

**IMPORTANT NOTE:** If the cabinet is located directly against a wall, a minimum clearance of 3" is required on sides, front and rear.

**Continental**  
Refrigerator

Toll-Free: 800-523-7138  
Phone: 215-244-1400  
Fax: 215-244-9579

539 Dunkserry Road  
Bensalem, PA 19020  
[www.continentalrefrigerator.com](http://www.continentalrefrigerator.com)

Due to our continued efforts in developing innovative products, specifications subject to change without notice.



MADE IN THE U.S.A.

© Copyright 2018. Continental Refrigerator.  
A Division of National Refrigeration & Air Conditioning Products, Inc.