

# BASE UNDERCOUNTER REFRIGERATOR

## Model: CRA93-U

### 93" Base Undercounter Refrigerator with Solid Doors

Heavy gauge #300 Series stainless steel top, stainless steel front and end panels, galvanized steel rear and grill and aluminum interior.

**Designed to maintain NSF-7 temperatures in 100°F ambient.**



#### Options and Accessories

(upcharge and lead times may apply)

Stainless steel interior	Condensing unit left or right
Stainless steel back	Automatic, electric condensate evaporator
Stainless steel shelves	Stainless steel pan slides
Add'l epoxy-coated steel shelves	Door locks
Drawers in lieu of full doors	Special electrical requirements (consult factory)
Drawer in lieu of half door above the condensing unit	

\*Drawer section above condensing unit holds (1) 12 x 20 x 6 pan

Project Name:

Model Specified:

Location:

Item No:

Quantity:

AIA #:

SIS #:

#### Standard Model Features

##### REFRIGERATION SYSTEM

Performance-rated refrigeration system

Environmentally-safe R-134a refrigerant

Unique forced air design utilizes fans (approx. every 12") across the entire back of unit for even distribution of cold

Automatic, energy saving, non-electric condensate evaporator

Non-corrosive, plasticized fin evaporator coil

Easily serviceable, slide-out condensing unit

##### CABINET ARCHITECTURE

2" non-CFC polyurethane foam insulation

Spring loaded, self closing doors

Magnetic snap-in door gaskets

Heavy-duty, epoxy-coated steel shelves

Completely enclosed, vented and removable rear and side grills

Refrigerated section with door above the condensing unit

(12) 1 3/8" diameter plate casters mounted on heavy-duty support plates (easily field installed)

##### MODEL FEATURES

Electronic controller w/ digital display & hi-low alarm

Front breather air divider (field installed)

Expansion valve for quick recovery

Built-in, off-cycle defrost timer

Field rehingable doors

**NOTE:** CRA-U models come standard with a door over the condensing unit. A drawer over the condensing unit is an option.

**Continental**  
Refrigerator

Toll-Free: 800-523-7138  
Phone: 215-244-1400  
Fax: 215-244-9579

539 Dunksferry Road  
Bensalem, PA 19020  
www.continentalrefrigerator.com

APPROVAL:

## Model Specifications

### DIMENSIONAL DATA

Net Capacity (cu. ft.)	32 (906 cu l)
Width, Overall (in.)	93 (2362 mm)
Depth, Overall (in.) (incl. handles & bumpers)	36 1/16 (916 mm)
Height, Overall (in.) (incl. 1 3/8" plate casters)	31 3/4 (806 mm)
Shelf Area (sq. ft.)	14.2 (1.3 sq m)
No. of Shelves	6
No. of Full Doors	3
No. of Half Doors	1
Interior Depth (in.)	30 (762 mm)
Interior Height (in.)	26 (660 mm)
Interior Height (in.) (above condenser)	12 1/2 (318 mm)
Interior Width (in.)	89 (2261 mm)

### REFRIGERANT DATA

Condensing Unit Size (H.P.)	1/3
Capacity (BTU/Hr)*	5260

### ELECTRICAL DATA

Voltage (int'l)	115/60/1 (220/50/1)
Fans	5
Total Amps (int'l)	13.7 (8.8)
10 ft. Cord/Plug [attached] (int'l)	Yes (No)

### SHIPPING DATA

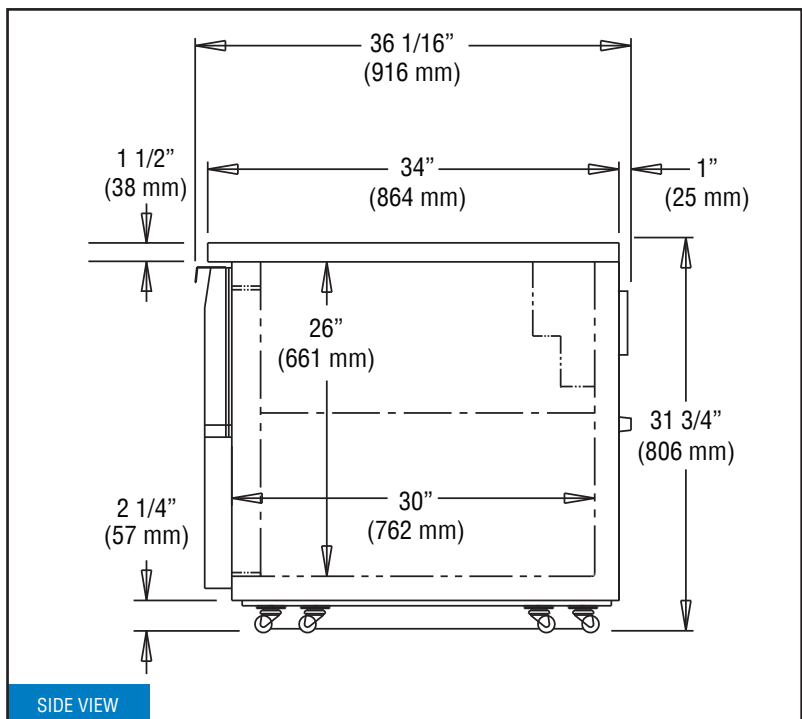
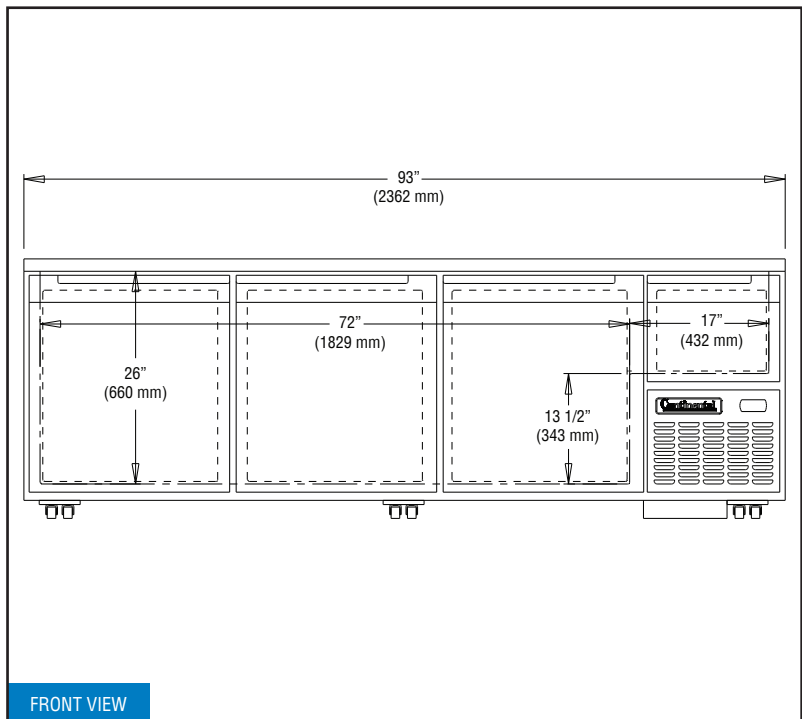
Weight (lbs.)	585 (265 kg)
Height - Crated (in.)	43 3/4 (1111 mm)
Width - Crated (in.)	95 (2413 mm)
Depth - Crated (in.)	47 (1194 mm)

\* Rating @ +25°F evaporator, 90°F ambient  
 Figures in parentheses reflect metric equivalents rounded to the nearest whole unit.



Equipped with one NEMA-5-15P Plug  
 (varies by country)

## Model Plan Views



**Continental**  
 Refrigerator

Toll-Free: 800-523-7138  
 Phone: 215-244-1400  
 Fax: 215-244-9579

539 Dunkserry Road  
 Bensalem, PA 19020  
[www.continentalrefrigerator.com](http://www.continentalrefrigerator.com)

Due to our continued efforts in developing innovative products, specifications subject to change without notice.



MADE IN THE U.S.A.

© Copyright 2017, Continental Refrigerator.  
 A Division of National Refrigeration & Air Conditioning Products, Inc.