

DESIGNER LINE ROLL-IN REFRIGERATOR

Model: DL1RI

1-Section Roll-In Refrigerator with 66¼" Cart Capacity

DL1RI - Stainless steel front, aluminum end panels and interior
DL1RI-SA - Stainless steel exterior, aluminum interior
DL1RI-SS - Stainless steel exterior and interior
Designed to maintain NSF-7 temperatures in 100°F ambient.



Designer Line

Options and Accessories

(upcharge and lead times may apply)

Stainless steel case back	Hinged glass door
Epoxy-coated steel shelves	Increased refrigeration systems
Chrome or stainless steel shelves	Special electrical req. (consult factory)
Rehinging of door (consult factory)	Correctional Facility Options
Expansion valve system	<ul style="list-style-type: none"> One way security screws
Custom laminates	<ul style="list-style-type: none"> Locking hasp (lock not included)
Half doors	<ul style="list-style-type: none"> Stainless steel mesh cover
Roll-Thru	<ul style="list-style-type: none"> Coverless hinges

Consult factory for other model configurations, options and accessories.

Project Name:

Model Specified:

Location:

Item No:

Quantity:

AIA #:

SIS #:

Standard Model Features

REFRIGERATION SYSTEM

Environmentally-safe R-134a refrigerant

Self contained, performance-rated
"plug" refrigeration system

Refrigeration system is accessible on top of cabinet,
separate from the "food zone"

Automatic hot gas condensate evaporator

CABINET ARCHITECTURE

Removable stainless steel rack guides

Removable stainless steel ramp

Reinforced stainless steel floor

3" non-CFC polyurethane foam insulation

Smooth, polished chrome workflow door handle

Cam action, lift off hinges

Self-closing door

Magnetic snap-in door gasket

Cylinder lock in door

66 1/2" high door opening (66 1/4"H rack capacity*)

MODEL FEATURES

Electronic controller w/digital display & hi-low alarm

Top and side air distribution ducts
evenly distribute air to all pan levels

Cabinet upper side panels and refrigeration "plug"
system can be removed and reinstalled at job site

* Rack not supplied

IMPORTANT NOTE: Cabinet upper side panels and refrigeration "plug"
system can be easily removed and reinstalled at installation site where
space limitations are confining.

Continental
Refrigerator

Toll-Free: 800-523-7138
Phone: 215-244-1400
Fax: 215-244-9579

539 Dunksferry Road
Bensalem, PA 19020
www.continentalrefrigerator.com

APPROVAL:

Model Specifications

DIMENSIONAL DATA

Net Capacity (cu. ft.)	32 (906 cu l)
Width, Overall (in.)	35 1/4 (895 mm)
Depth, Overall (in.) (incl. handles)	35 3/8 (899 mm)
Depth [less door] (in.)	32 (813 mm)
Depth [door open 90°] (in.)	65 (1651 mm)
Clear Door Width (in.)	27 3/8 (695 mm)
Clear Full Door Height (in.)	66 1/2 (1676 mm)
Height, Overall (in.)	86 (2184 mm)
No. of Doors	1
Rack Capacity**	1

REFRIGERANT DATA

Condensing Unit Size (H.P.)	1/3
Capacity (BTU/Hr)*	2560

ELECTRICAL DATA

Voltage (int'l)	115/60/1 (220/50/1)
Feed Wires (incl. ground)	3
Total Amps (int'l)	6.5 (5.1)
10 ft. Cord/Plug [attached] (int'l)	Yes (No)

SHIPPING DATA

Height - Crated (in.)	90 (2286 mm)
Width - Crated (in.)	43 (1092 mm)
Depth - Crated (in.)	42 (1067 mm)
Volume - Crated (cu. ft.)	94 (2661 cu l)
Weight Std - Crated (lbs.)	415 (188 kg)
Weight SS - Crated (lbs.)	505 (229 kg)
Weight Std - Uncrated (lbs.)	330 (150 kg)
Weight SS - Uncrated (lbs.)	405 (184 kg)

* Rating @ +25°F evaporator, 90°F ambient

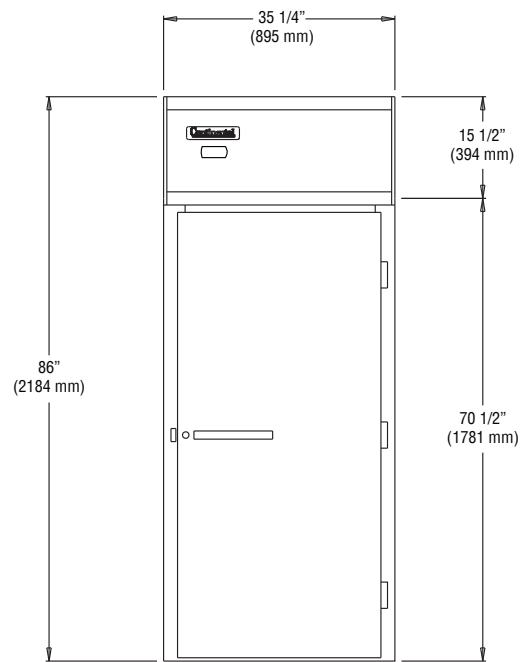
** Maximum rack size including wheels - 27"W x 29"D x 66 1/4"H

Figures in parentheses reflect metric equivalents rounded to the nearest whole unit.

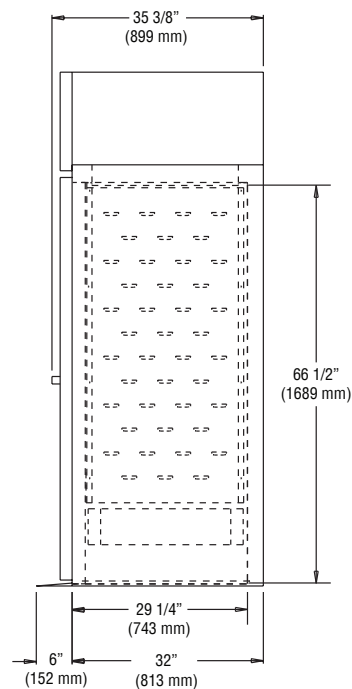


Equipped with one NEMA-5-15P Plug
(varies by country)

Model Plan Views



FRONT VIEW



SIDE VIEW

IMPORTANT NOTE: If the cabinet is located directly against a wall and/or under a low ceiling, a minimum clearance of 12" is required on top and 3" on sides and rear.

Continental
Refrigerator

Toll-Free: 800-523-7138
Phone: 215-244-1400
Fax: 215-244-9579

539 Dunkserry Road
Bensalem, PA 19020
www.continentalrefrigerator.com

Due to our continued efforts in developing innovative products, specifications subject to change without notice.



MADE IN THE U.S.A.

© Copyright 2016. Continental Refrigerator.
A Division of National Refrigeration & Air Conditioning Products, Inc.