

# DESIGNER LINE FISH FILE

**Model: DL1RS-SS-F**

## 1-Section Fish File Upright

Specially designed for the storage of fresh fish packed in crushed ice in drawer pans supplied with unit.

#300 Series stainless interior, stainless steel exterior.

**Designed to maintain NSF-7 temperatures in 100°F ambient.**



*Designer line*

### Options and Accessories

(upcharge and lead times may apply)

Stainless steel back	Casters
Drawer locks	Special electrical requirements (consult factory)

Consult factory for other model configurations, options and accessories.

Project Name:

Model Specified:

Location:

Item No:

Quantity:

AIA #:

SIS #:

### Standard Model Features

#### REFRIGERATION SYSTEM

Performance-rated refrigeration system

Environmentally-safe R-134a refrigerant

Automatic, electric condensate evaporator

Non-corrosive, plasticized fin evaporator coil

#### CABINET ARCHITECTURE

3" non-CFC polyurethane foam insulation

Magnetic snap-in drawer gaskets

Stainless steel, easy glide roll-out drawers on heavy-duty drawer track

Smooth, polished chrome workflow drawer handles

Adjustable 6" stainless steel legs

#### MODEL FEATURES

Electronic controller w/digital display & hi-low alarm

Expansion valve system

1" diameter cleanout drain (requires provisions for floor drain)

Fully welded, non-corrosive stainless steel pan per drawer w/built-in drain tubes and ice grates (drain into gutter)\*

Anti-sweat facia heaters

\* Each drawer has a removable pan, with a drain tube at the back corner. Water from melting ice in the pan, along with moisture from the product, drains out of the storage pan through the tube, a long a trough on the interior cabinet wall, down the sloped interior bottom, and out of the cabinet through a 1" drain tube.

APPROVAL:

**Continental**<sup>®</sup>  
Refrigerator

Toll-Free: 800-523-7138  
Phone: 215-244-1400  
Fax: 215-244-9579

539 Dunksferry Road  
Bensalem, PA 19020  
www.continentalrefrigerator.com

## Model Specifications

### DIMENSIONAL DATA

Net Capacity (cu. ft.)	16 (453 cu l)
Width, Overall (in.)	26 (660 mm)
Depth, Overall (in.) (incl. handles)	29 1/4 (743 mm)
Height, Overall (in.) (incl. 6" legs)	83 1/4 (2115 mm)
No. of Drawers	4

### REFRIGERANT DATA

Condensing Unit Size (H.P.)	1/4
Capacity (BTU/Hr)*	1940

### ELECTRICAL DATA

Voltage (int'l)	115/60/1 (220/50/1)
Feed Wires (incl. ground)	3
Total Amps (int'l)	5.5 (3.5)
10 ft. Cord/Plug [attached] (int'l)	Yes (No)

### SHIPPING DATA

Height - Crated (in.)	85 1/2 (2172 mm)
Width - Crated (in.)	31 5/8 (803 mm)
Depth - Crated (in.)	42 (1067 mm)
Volume - Crated (cu. ft.)	65 (1841 cu l)
Weight Std - Crated (lbs.)	470 (213 kg)
Weight SS - Crated (lbs.)	495 (225 kg)

### DRAWER PAN CONFIGURATIONS

(4) 15 5/8 x 20 x 6 pan per drawer  
(can accommodate 12 x 20 perforated pans)

\* Rating @ +25°F evaporator, 90°F ambient

Figures in parentheses reflect metric equivalents rounded to the nearest whole unit.



Equipped with one NEMA-5-15P Plug  
(varies by country)

**Continental**  
Refrigerator

Toll-Free: 800-523-7138  
Phone: 215-244-1400  
Fax: 215-244-9579

539 Dunksferry Road  
Bensalem, PA 19020  
[www.continentalrefrigerator.com](http://www.continentalrefrigerator.com)

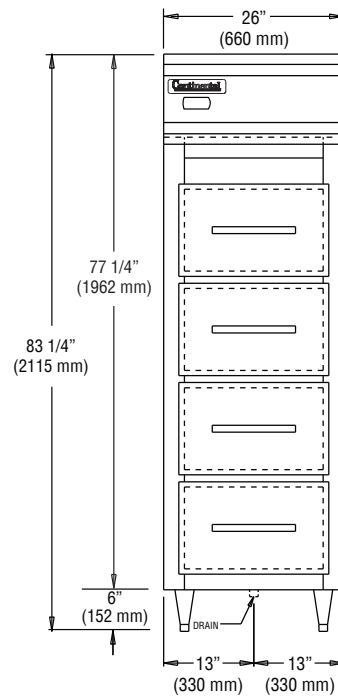
Due to our continued efforts in developing innovative products, specifications subject to change without notice.



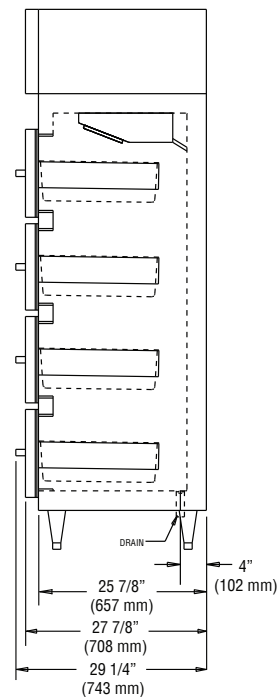
MADE IN THE U.S.A.

© Copyright 2018. Continental Refrigerator.  
A Division of National Refrigeration & Air Conditioning Products, Inc.

## Model Plan Views



FRONT VIEW



SIDE VIEW

**IMPORTANT NOTE:** If the cabinet is located directly against a wall and/or under a low ceiling, a minimum clearance of 12" is required on top and 3" on sides and rear. 1" NPS Drain Tube must be directly piped to a building floor drain or connected to a suitable waste line.