

# GRIDDLE STAND REFRIGERATOR

**Model: DL72G**

## 72" Griddle Stand Refrigerator

Stainless steel exterior and interior.

Designed to maintain NSF-7 temperatures in 100°F ambient.



### Options and Accessories

(upcharge and lead times may apply)

Flat top in lieu of marine edge	Adjustable legs
16-gauge stainless steel top (flat or marine)	Digital thermometer
Condensing unit left or right	Cylinder locks
Automatic, electric condensate evaporator	Stainless steel pans
Stainless steel top extensions (flat or marine)	Special electrical requirements (consult factory)
Integral heat shield	

Consult factory for other model configurations, options and accessories.

**Continental**  
Refrigerator

Toll-Free: 800-523-7138  
Phone: 215-244-1400  
Fax: 215-244-9579

539 Dunksferry Road  
Bensalem, PA 19020  
[www.continentalrefrigerator.com](http://www.continentalrefrigerator.com)

Project Name:

Model Specified:

Location:

Item No:

Quantity:

AIA #:

SIS #:

### Standard Model Features

#### REFRIGERATION SYSTEM

Performance-rated refrigeration system

Environmentally-safe R-134a refrigerant

Side-mounted, automatic, energy saving non-electric condensate evaporator

Non-corrosive, plasticized fin evaporator coil

Easily serviceable, front slide-out condensing unit

#### CABINET ARCHITECTURE

High density, non-CFC polyurethane foamed-in-place insulation

Easy glide, fully extendable drawers designed to hold 6" deep pans side-by-side

One-piece, snap-in magnetic drawer gaskets

Heavy-duty drawer track with built-in drawer safety clips

Drawers designed to hold 250 lb. capacity

4" casters on support plates

Stainless steel case back

Reinforced stainless steel work top with drip guard marine edge

#### MODEL FEATURES

Capillary dial thermometer

Front breathing

APPROVAL:

## Model Specifications

### DIMENSIONAL DATA

Net Capacity (cu. ft.)	16.4 (464 cu l)
Width, Overall (in.)	72 (1829 mm)
Depth, Overall (incl. handles) (in.)	34 3/4 (883 mm)
Height, Overall (in.) (incl. 4" casters)	26 3/8 (670 mm)
No. of Drawers	4

### REFRIGERANT DATA

Condensing Unit Size (H.P.)	1/4
Capacity (BTU/Hr)*	1940

### ELECTRICAL DATA

Voltage (int'l)	115/60/1 (220/50/1)
Fans	2
Feed Wires (incl. ground)	3
Total Amps (int'l)	6.1 (3.7)
10 ft. Cord/Plug [attached] (int'l)	Yes (No)

### SHIPPING DATA

Weight (lbs.)	550 (249 kg)
Height - Crated (in.)	44 (1118 mm)
Width - Crated (in.)	90 (2286 mm)
Depth - Crated (in.)	39 (991 mm)

### TOP WEIGHT CAPACITY

Max. Top Weight Capacity (lbs.)	1200 (544 kg)
---------------------------------	---------------

\* Rating @ +25°F evaporator, 90°F ambient

Figures in parentheses reflect metric equivalents rounded to the nearest whole unit.



Equipped with one NEMA-5-15P Plug  
(varies by country)

**Continental**  
Refrigerator

Toll-Free: 800-523-7138  
Phone: 215-244-1400  
Fax: 215-244-9579

539 Dunkserry Road  
Bensalem, PA 19020  
[www.continentalrefrigerator.com](http://www.continentalrefrigerator.com)

Due to our continued efforts in developing innovative products, specifications subject to change without notice.



**Intertek**

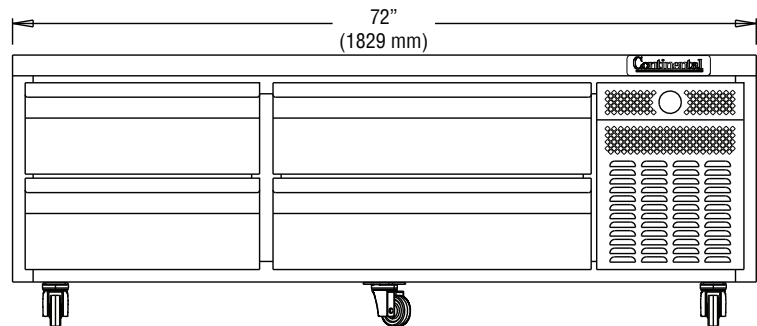
© Copyright 2017. Continental Refrigerator.

A Division of National Refrigeration & Air Conditioning Products, Inc.

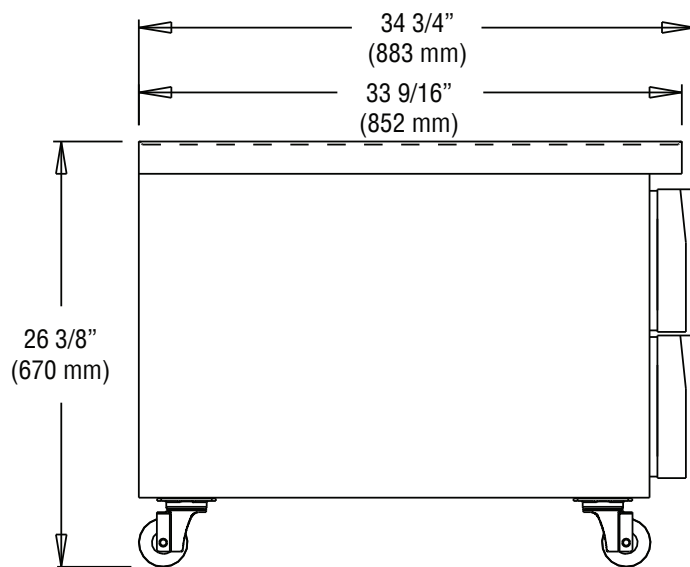


MADE IN THE U.S.A.

## Model Plan Views

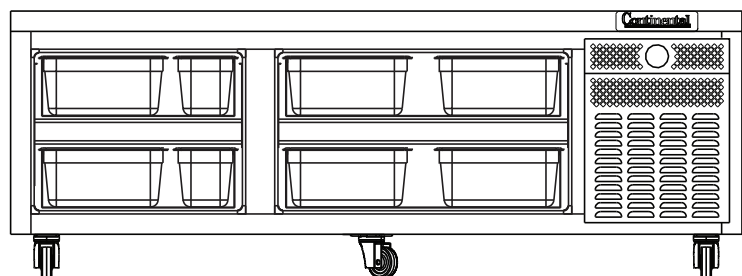


FRONT VIEW



SIDE VIEW

Shown with (6) 12 x 20 x 6 pans and (2) 6 x 20 x 6 pans (not furnished)



DRAWER PAN CONFIGURATION