

FORCED AIR MILK COOLERS

Model: MC5-D

58" Forced Air Milk Cooler Dual Access

White painted steel exterior, stainless steel top and doors, heavy-duty stainless steel lids, door hinges and latches, galvanized steel interior with reinforced stainless steel floor. **Designed to keep milk cold during serving.**



Options and Accessories

(upcharge and lead times may apply)

Stainless steel exterior	Adjustable legs
Stainless steel interior	Color laminate
Wrap around bumpers	Powder coating
Corner bumpers	Digital thermometer
Foot pedal floor lock	Single access

Consult factory for other model configurations, options and accessories.

Project Name:

Model Specified:

Location:

Item No:

Quantity:

AIA #:

SIS #:

Standard Model Features

REFRIGERATION SYSTEM

Forced air, performance-rated refrigeration system
Environmentally-safe R-134a refrigerant
Easily serviceable, bottom-mounted compressor
Built-in, electric condensate evaporator

CABINET ARCHITECTURE

2" high density, non-CFC polyurethane foamed-in-place insulation
Snap-in lids and door gaskets
Non-corrosive, heavy-duty, epoxy-coated steel wire floor racks
Door cylinder security locks
5" swivel casters w/ front locking brakes

MODEL FEATURES

Exterior-mounted dial thermometer
Floor drain
Unique forced air flow curtain

Continental
Refrigerator

Toll-Free: 800-523-7138
Phone: 215-244-1400
Fax: 215-244-9579

539 Dunksferry Road
Bensalem, PA 19020
www.continentalrefrigerator.com

APPROVAL:

Model Specifications

DIMENSIONAL DATA

Net Capacity (cu. ft.)	24.0 (680 cu l)
Crate Capacity (13" x 13" x 11")	16
Crate Capacity (19" x 13" x 11")	10
Width, Overall (in.)	58 (1473 mm)
Depth, Overall (in.)	33 (838 mm)
Height, Overall (in.) (incl. 5" casters)	47 (1194 mm)

REFRIGERANT DATA

Condensing Unit Size (H.P.)	1/3
Capacity (BTU/Hr)*	2870

ELECTRICAL DATA

Voltage (int'l)	115/60/1 (220/50/1)
Total Amps (int'l)	7.4 (4.3)
10 ft. Cord/Plug [attached] (int'l)	Yes (No)

SHIPPING DATA

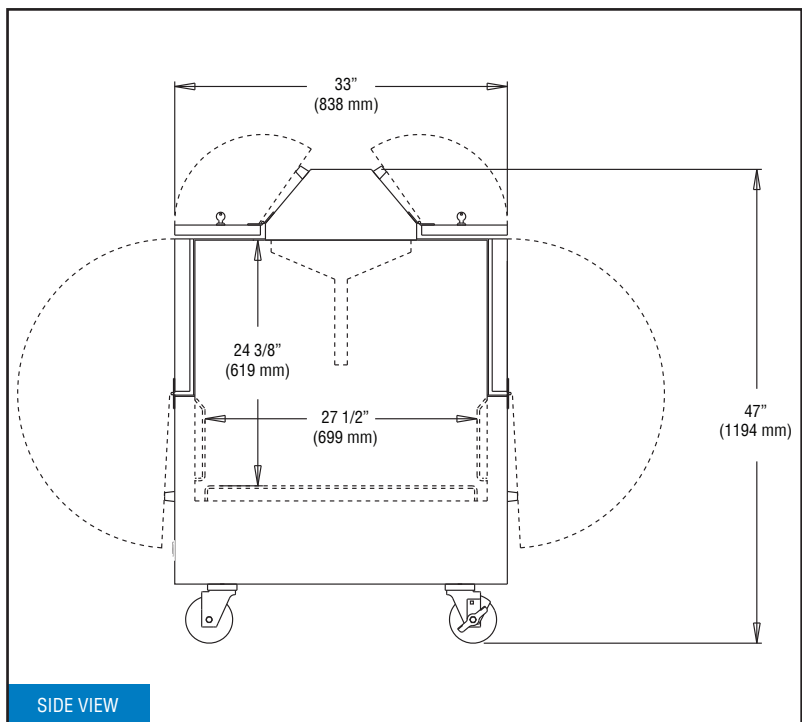
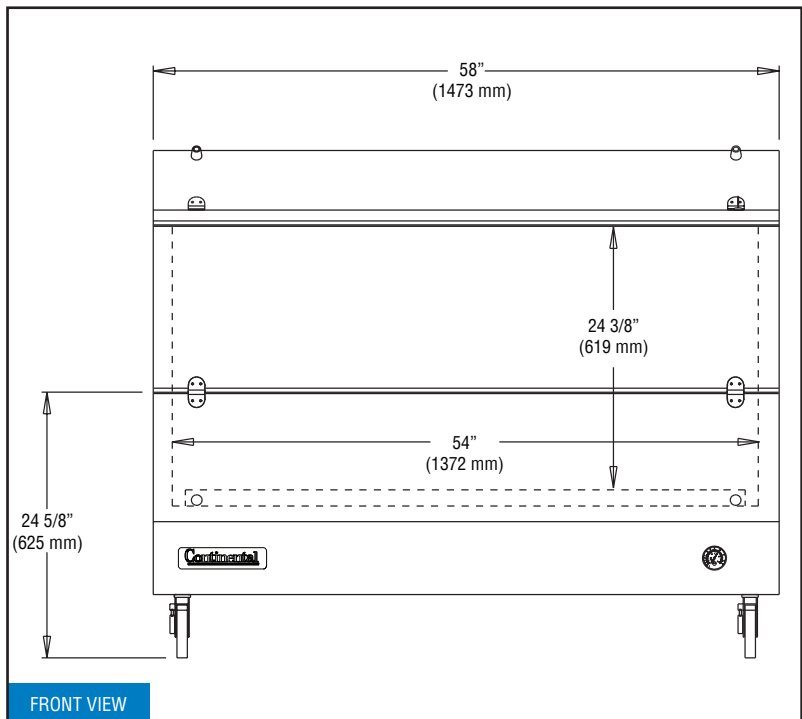
Weight (lbs.)	580 (263 kg)
Height - Crated (in.)	56 1/4 (1429 mm)
Width - Crated (in.)	67 1/4 (1708 mm)
Depth - Crated (in.)	36 1/2 (927 mm)

* Rating @ +25°F evaporator, 90°F ambient
 Figures in parentheses reflect metric equivalents rounded to the nearest whole unit.



Equipped with one NEMA-5-15P Plug
 (varies by country)

Model Plan Views



Continental

Refrigerator

Toll-Free: 800-523-7138
 Phone: 215-244-1400
 Fax: 215-244-9579

539 Dunkserry Road
 Bensalem, PA 19020
www.continentalrefrigerator.com

Due to our continued efforts in developing innovative products, specifications subject to change without notice.



MADE IN THE U.S.A.

© Copyright 2015, Continental Refrigerator.
 A Division of National Refrigeration & Air Conditioning Products, Inc.