

SANDWICH UNIT REFRIGERATOR

Model: SW36-12M

36" Mighty Top Sandwich Unit Refrigerator with Solid Doors - 12 Pans

Stainless steel front and top, aluminum end panels, case back and interior.
Certified under NSF-7 to maintain temperatures in 86°F ambient and designed to maintain NSF-7 temperatures in 100°F ambient.



Options and Accessories

(upcharge and lead times may apply)

| | |
|---|----------------------------|
| Stainless steel exterior and interior - SS models | Expansion valve system |
| Stainless steel end panels - SA models | Rear-mounted cutting board |
| Glass doors in lieu of solid doors - GD models | Flat insulated night cover |
| Stainless steel finished back in lieu of aluminum | Remote models |
| Overshelves (single or double) | Door locks |
| Stainless steel shelves | Adjustable legs |
| Additional epoxy-coated steel shelves | Digital thermometer |
| Automatic, electric condensate evaporator | Crumb catcher |

Consult factory for other model configurations, options and accessories.

Project Name:

Model Specified:

Location:

Item No:

Quantity:

AIA #:

SIS #:

Standard Model Features

REFRIGERATION SYSTEM

- Performance-rated refrigeration system
- Environmentally-safe R-134a refrigerant
- Unique air flow distribution allows pan product to maintain 33° - 41°F
- Automatic, energy saving, non-electric condensate evaporator
- Non-corrosive, plasticized fin evaporator coil
- Easily serviceable, back mounted compressor

CABINET ARCHITECTURE

- 2" non-CFC polyurethane foam insulation
- Spring loaded, self closing doors
- Magnetic snap-in door gaskets
- Heavy-duty, epoxy-coated steel shelves
- 10" deep, full length nylon cutting board
- Insulated lid
- 5" casters
- Completely enclosed, vented and removable case back

MODEL FEATURES

- (12) 1/6 size non-recessed pans, 4" deep
- Interior hanging thermometer
- Field rehingeable doors

Continental
 Refrigerator

Toll-Free: 800-523-7138
 Phone: 215-244-1400
 Fax: 215-244-9579

539 Dunksferry Road
 Bensalem, PA 19020
www.continentalrefrigerator.com

APPROVAL:

Model Specifications

DIMENSIONAL DATA

| | |
|---|------------------|
| Net Capacity (cu. ft.) | 10.3 (292 cu l) |
| 1/6 Size Pans (4" deep) | 12 |
| Width, Overall (in.) | 36 (914 mm) |
| Depth, Overall (in.) (incl. handles & bumpers) | 35 (889 mm) |
| Depth, Body Only (less doors) (in.) | 27 1/2 (699 mm) |
| Depth, Cutting Board (in.) | 10 (254 mm) |
| Height, Overall (in.) (incl. 5" casters) | 42 1/4 (1073 mm) |
| Shelf Area (sq. ft.) | 4.6 (.4 sq m) |
| No. of Shelves | 2 |
| No. of Doors | 2 |
| Interior Depth (in.) | 19 3/8 (492 mm) |
| Interior Height (in.) | 26 1/4 (667 mm) |
| Interior Width (in.) | 32 (813 mm) |

REFRIGERANT DATA

| | |
|-----------------------------|------|
| Condensing Unit Size (H.P.) | 1/5 |
| Capacity (BTU/Hr)* | 1620 |

ELECTRICAL DATA

| | |
|-------------------------------------|---------------------|
| Voltage (int'l) | 115/60/1 (220/50/1) |
| Fans | 2 |
| Total Amps (int'l) | 6.3 (3.7) |
| 10 ft. Cord/Plug [attached] (int'l) | Yes (No) |

SHIPPING DATA

| | |
|-----------------------|------------------|
| Weight (lbs.) | 250 (113 kg) |
| Height - Crated (in.) | 43 1/4 (1099 mm) |
| Width - Crated (in.) | 43 (1092 mm) |
| Depth - Crated (in.) | 46 (1168 mm) |

* Rating @ +25°F evaporator, 90°F ambient
 Figures in parentheses reflect metric equivalents rounded to the nearest whole unit.



Equipped with one NEMA-5-15P Plug
 (varies by country)

Continental

Refrigerator

Toll-Free: 800-523-7138
 Phone: 215-244-1400
 Fax: 215-244-9579

539 Dunkserry Road
 Bensalem, PA 19020
www.continentalrefrigerator.com

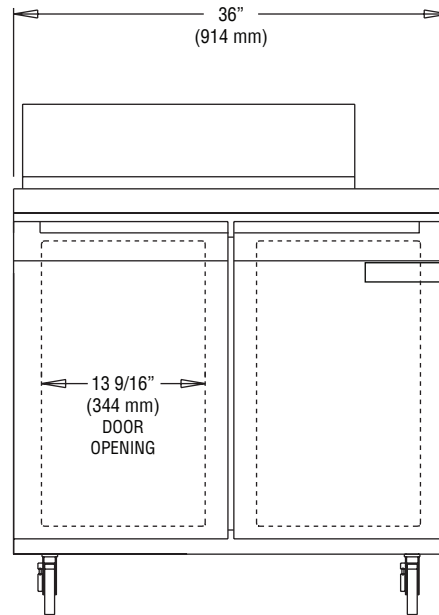
Due to our continued efforts in developing innovative products, specifications subject to change without notice.



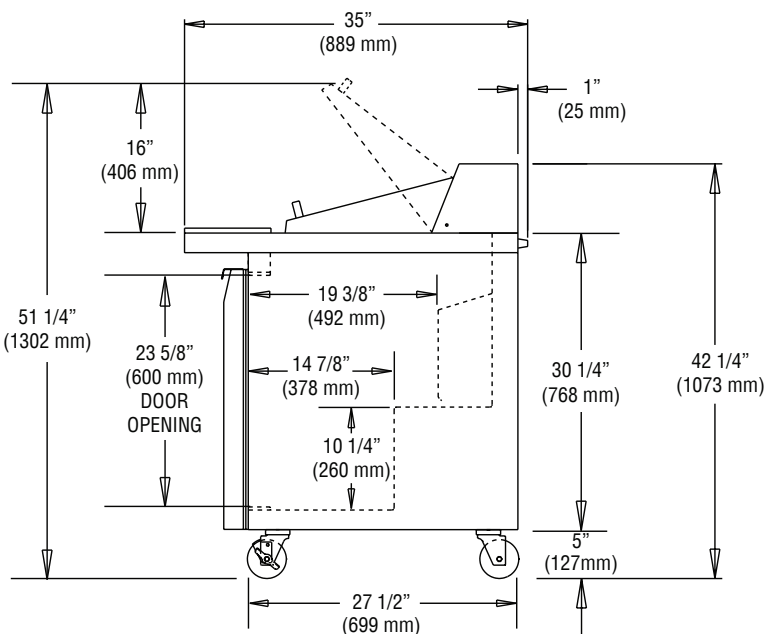
MADE IN THE U.S.A.

© Copyright 2014. Continental Refrigerator.
 A Division of National Refrigeration & Air Conditioning Products, Inc.

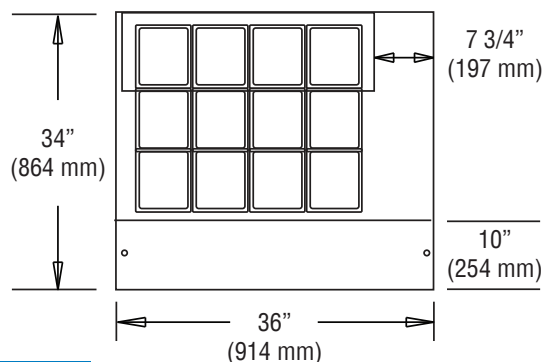
Model Plan Views



FRONT VIEW



SIDE VIEW



PAN TOP CONFIGURATION