

# WORKTOP REFRIGERATOR

**Model: SW48-D**

## 48" Worktop Refrigerator with Drawers

Stainless steel front, top and end panels, aluminum back and interior.

**Designed to maintain NSF-7 temperatures in 100°F ambient.**



### Options and Accessories

(upcharge and lead times may apply)

|  |  |
|--|--|
| Stainless steel interior                 | Glass doors (-GD model)                              |
| Stainless steel back                     | Expansion valve system                               |
| Overshelves (single or double)           | Adjustable legs                                      |
| Automatic electric condensate evaporator | Drawers locks  |
| Doors in lieu of drawers                 | Special electrical requirements<br>(consult factory) |
| Backsplash (-BS model)                   |  |

Consult factory for other model configurations, options and accessories.

**Continental**<sup>®</sup>  
Refrigerator

Toll-Free: 800-523-7138  
Phone: 215-244-1400  
Fax: 215-244-9579

539 Dunksferry Road  
Bensalem, PA 19020  
[www.continentalrefrigerator.com](http://www.continentalrefrigerator.com)

Project Name:

Model Specified:

Location:

Item No:

Quantity:

AIA #:

SIS #:

### Standard Model Features

#### REFRIGERATION SYSTEM

- Performance-rated refrigeration system
- Environmentally-safe R-134a refrigerant
- Automatic, energy-saving, non-electric condensate evaporator
- Non-corrosive, plasticized fin evaporator coil
- Easily serviceable back mounted compressor

#### CABINET ARCHITECTURE

- 2" non-CFC polyurethane foam insulation
- Stainless steel roll-out drawers
- Magnetic snap-in drawer gaskets
- Completely enclosed, vented and removable case back
- 5" casters

#### MODEL FEATURES

- Electronic controller w/ digital display & hi-low alarm

APPROVAL:

## Model Specifications

### DIMENSIONAL DATA

|   |                  |
|---|------------------|
| Net Capacity (cu. ft.)                            | 13.4 (379 cu l)  |
| Width, Overall (in.)                              | 48 (1219 mm)     |
| Depth, Overall (in.)<br>(incl. handles & bumpers) | 31 9/16 (802 mm) |
| Depth, Body Only (in.) (less drawers)             | 27 1/2 (699 mm)  |
| Height, Overall (in.) (incl. 5" casters)          | 35 1/4 (895 mm)  |
| No. of Drawers (two tier)                         | 4                |
| No. of Drawers (three tier)                       | 6                |

### REFRIGERANT DATA

|                             |      |
|-----------------------------|------|
| Condensing Unit Size (H.P.) | 1/5  |
| Capacity (BTU/Hr)*          | 1620 |

### ELECTRICAL DATA

|                                     |                     |
|-------------------------------------|---------------------|
| Voltage (int'l)                     | 115/60/1 (220/50/1) |
| Fans                                | 3                   |
| Total Amps (int'l)                  | 7.3 (3.6)           |
| 10 ft. Cord/Plug [attached] (int'l) | Yes (No)            |

### SHIPPING DATA

|                       |                  |
|-----------------------|------------------|
| Weight (lbs.)         | 248 (112 kg)     |
| Height - Crated (in.) | 43 1/4 (1099 mm) |
| Width - Crated (in.)  | 56 (1422 mm)     |
| Depth - Crated (in.)  | 37 1/4 (946 mm)  |

### DRAWER PAN CONFIGURATIONS

**Two Tier:** (1) 12 x 18 x 6 pan per drawer  
or (1) 1/2 size x 6 & (1) 1/3 x 6 pans per drawer

**Three Tier:** (1) 12 x 18 x 3 1/2 pan per drawer  
or (1) 1/2 size x 4 & (1) 1/3 x 4 pans per drawer

\* Rating @ +25°F evaporator, 90°F ambient

Figures in parentheses reflect metric equivalents rounded to the nearest whole unit.



Equipped with one NEMA-5-15P Plug  
(varies by country)

**Continental**  
Refrigerator

Toll-Free: 800-523-7138  
Phone: 215-244-1400  
Fax: 215-244-9579

539 Dunkserry Road  
Bensalem, PA 19020  
[www.continentalrefrigerator.com](http://www.continentalrefrigerator.com)

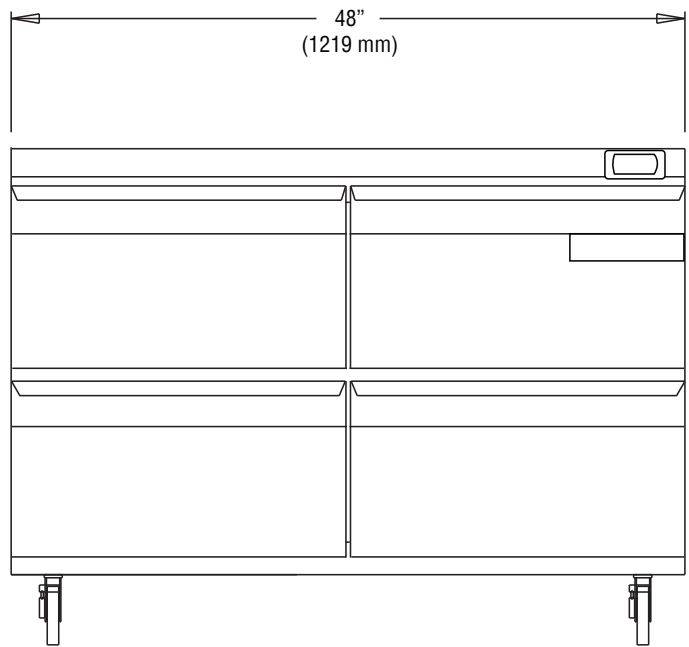
Due to our continued efforts in developing innovative products, specifications subject to change without notice.



MADE IN THE U.S.A.

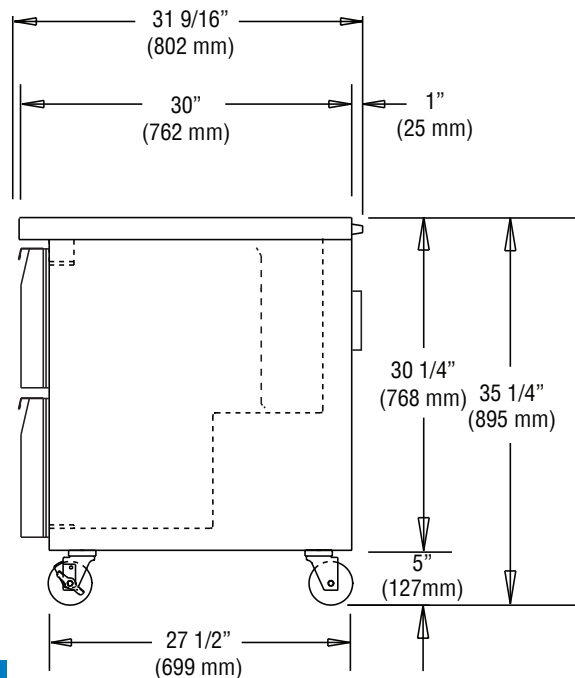
© Copyright 2018. Continental Refrigerator.  
A Division of National Refrigeration & Air Conditioning Products, Inc.

## Model Plan Views



FRONT VIEW

Note: Shown with two tier drawers.



SIDE VIEW

**IMPORTANT NOTE:** If the cabinet is located directly against a wall, a minimum clearance of 3" is required on sides, front and rear.