

# UNDERCOUNTER FREEZER (0°F)

**Model: SWF27-GD-U**

27" Undercounter Freezer  
with Hinged Glass Door

Stainless steel front, top and end panels, aluminum back and interior.

Designed to maintain NSF-7 temperatures in 100°F ambient.



## Options and Accessories

(upcharge and lead times may apply)

|                                  |  |
|----------------------------------|--|
| Stainless steel interior         | Drawers in lieu of door                              |
| Stainless steel back             | Solid door in lieu of glass door                     |
| Stainless steel shelves          | Door lock  |
| Add'l epoxy-coated steel shelves | Special electrical requirements<br>(consult factory) |

Consult factory for other model configurations, options and accessories.

Project Name:

Model Specified:

Location:

Item No:

Quantity:

AIA #:

SIS #:

## Standard Model Features

### REFRIGERATION SYSTEM

- Performance-rated refrigeration system
- Environmentally-safe R-290 refrigerant
- Automatic, hot gas condensate evaporator
- Non-corrosive, plasticized fin evaporator coil
- Easily serviceable back mounted compressor

### CABINET ARCHITECTURE

- 2" non-CFC polyurethane foam insulation
- Double pane, low-e tempered hinged glass door
- Magnetic snap-in door gasket
- Heavy-duty, epoxy-coated steel shelf
- Completely enclosed, vented and removable case back
- 1 3/8" diameter plate casters (factory installed)

### MODEL FEATURES

- Electronic controller w/ digital display & hi-low alarm
- 2" high, bottom mounted front breather air divider
- Automatic electric defrost

Front breathers are a unique bottom mounted ventilation system designed to allow cabinets to be flush against a wall or built into a counter to conserve space.

**Continental**  
Refrigerator

Toll-Free: 800-523-7138  
Phone: 215-244-1400  
Fax: 215-244-9579

539 Dunksferry Road  
Bensalem, PA 19020  
www.continentalrefrigerator.com

APPROVAL:

## Model Specifications

### DIMENSIONAL DATA

|   |                   |
|---|-------------------|
| Net Capacity (cu. ft.)                                | 7.4 (210 cu l)    |
| Width, Overall (in.)                                  | 27 1/2 (699 mm)   |
| Depth, Overall (in.)<br>(incl. handle & bumpers)      | 31 7/16 (798 mm)  |
| Height, Overall (in.)<br>(incl. 1 3/8" plate casters) | 31 13/16 (808 mm) |
| Shelf Area (sq. ft.)                                  | 3.5 (.3 sq m)     |
| No. of Shelves  | 1                 |
| No. of Doors  | 1                 |
| Interior Depth (in.)                                  | See Drawing       |
| Interior Height (in.)                                 | 26 1/4 (667 mm)   |
| Interior Width (in.)                                  | 24 1/2 (622 mm)   |

### REFRIGERANT DATA

|                             |      |
|-----------------------------|------|
| Condensing Unit Size (H.P.) | 1/3  |
| Capacity (BTU/Hr)*          | 1572 |

### ELECTRICAL DATA

|                                     |                     |
|-------------------------------------|---------------------|
| Voltage (int'l)                     | 115/60/1 (220/50/1) |
| Fans                                | 1                   |
| Total Amps (int'l)                  | 4.0 (2.8)           |
| Defrost Amps                        | 4.8 (2.4)           |
| 10 ft. Cord/Plug [attached] (int'l) | Yes (No)            |

### SHIPPING DATA

|                       |                 |
|-----------------------|-----------------|
| Weight (lbs.)         | 180 (82 kg)     |
| Height - Crated (in.) | 40 (1016 mm)    |
| Width - Crated (in.)  | 35 1/2 (902 mm) |
| Depth - Crated (in.)  | 37 1/4 (946 mm) |

\* Rating @ -15°F evaporator, 90°F ambient

Figures in parentheses reflect metric equivalents rounded to the nearest whole unit.



Equipped with one NEMA-5-15P Plug  
(varies by country)

**Continental**  
Refrigerator

Toll-Free: 800-523-7138  
Phone: 215-244-1400  
Fax: 215-244-9579

539 Dunkserry Road  
Bensalem, PA 19020  
[www.continentalrefrigerator.com](http://www.continentalrefrigerator.com)

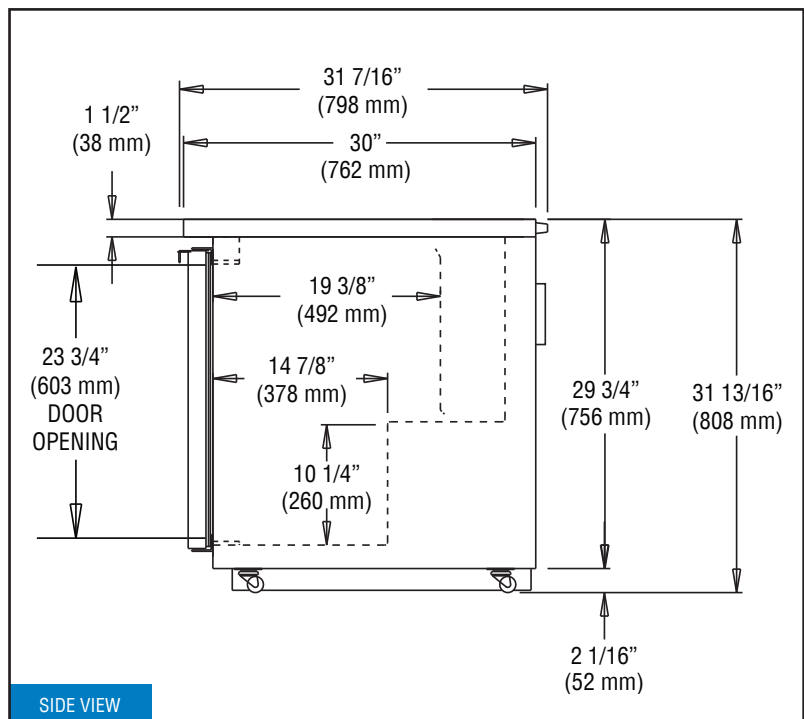
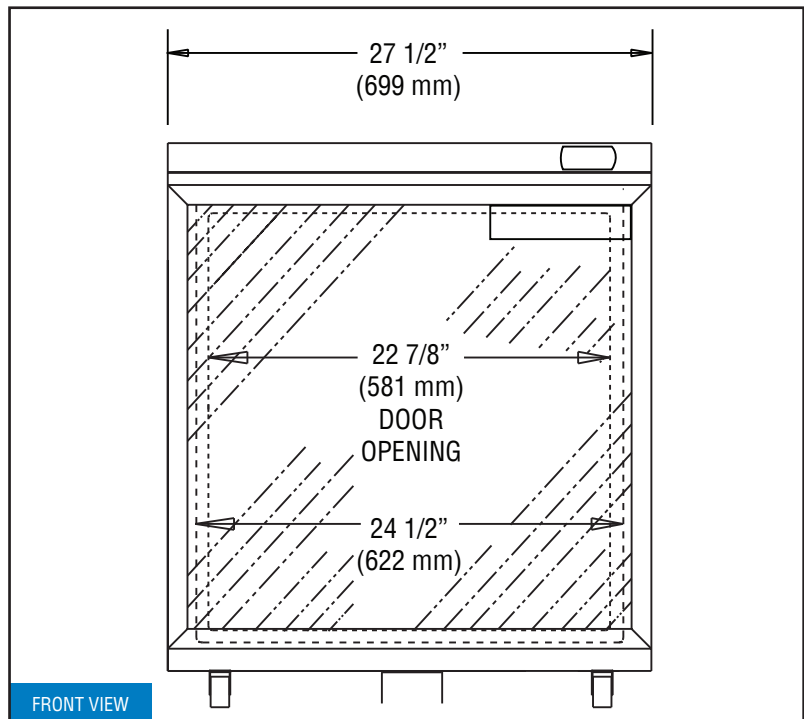
Due to our continued efforts in developing innovative products, specifications subject to change without notice.



MADE IN THE U.S.A.

© Copyright 2018. Continental Refrigerator.  
A Division of National Refrigeration & Air Conditioning Products, Inc.

## Model Plan Views



**NOTE:** For proper operation, the area under and in front of the cabinet **must** not be obstructed in any way.