

UNDERCOUNTER FREEZER (0°F)

Model: SWF32-U

32" Undercounter Freezer with Solid Door

Stainless steel front, top and end panels, aluminum back and interior.

Designed to maintain NSF-7 temperatures in 100°F ambient.



Options and Accessories

(upcharge and lead times may apply)

| | |
|----------------------------------|--|
| Stainless steel interior | Automatic electric condensate evaporator |
| Stainless steel back | Drawers in lieu of door |
| Stainless steel shelves | Door lock |
| Add'l epoxy-coated steel shelves | Special electrical requirements (consult factory) |

Consult factory for other model configurations, options and accessories.

Project Name:

Model Specified:

Location:

Item No:

Quantity:

AIA #:

SIS #:

Standard Model Features

REFRIGERATION SYSTEM

Performance-rated refrigeration system

Environmentally-safe R-290 refrigerant

Automatic, energy-saving, non-electric
condensate evaporator

Non-corrosive, plasticized fin evaporator coil

Easily serviceable back mounted compressor

CABINET ARCHITECTURE

2" non-CFC polyurethane foam insulation

Spring loaded, self closing door

Magnetic snap-in door gasket

Heavy-duty, epoxy-coated steel shelf

Completely enclosed, vented and removable case back

1 3/8" diameter plate casters (factory installed)

MODEL FEATURES

Electronic controller w/ digital display & hi-low alarm

2" high, bottom mounted front breather air divider

Automatic electric defrost

Field rehingeable door

Front breathers are a unique bottom mounted ventilation system designed to allow cabinets to be flush against a wall or built into a counter to conserve space.

Continental
Refrigerator

Toll-Free: 800-523-7138
Phone: 215-244-1400
Fax: 215-244-9579

539 Dunksferry Road
Bensalem, PA 19020
www.continentalrefrigerator.com

APPROVAL:

Model Specifications

DIMENSIONAL DATA

| | |
|---|-------------------|
| Net Capacity (cu. ft.) | 9.0 (255 cu l) |
| Width, Overall (in.) | 32 (813 mm) |
| Depth, Overall (in.) (incl. handle & bumpers) | 31 9/16 (802 mm) |
| Height, Overall (in.) (incl. 1 3/8" plate casters) | 31 13/16 (808 mm) |
| Shelf Area (sq. ft.) | 3.9 (.4 sq m) |
| No. of Shelves | 1 |
| No. of Doors | 1 |
| Interior Depth (in.) | See Drawing |
| Interior Height (in.) | 26 1/4 (667 mm) |
| Interior Width (in.) | 28 (711 mm) |

REFRIGERANT DATA

| | |
|-----------------------------|------|
| Condensing Unit Size (H.P.) | 1/3 |
| Capacity (BTU/Hr)* | 1800 |

ELECTRICAL DATA

| | |
|-------------------------------------|---------------------|
| Voltage (int'l) | 115/60/1 (220/50/1) |
| Fans | 1 |
| Total Amps (int'l) | 5.6 (3.3) |
| Defrost Amps (int'l) | 4.8 (2.4) |
| 10 ft. Cord/Plug [attached] (int'l) | Yes (No) |

SHIPPING DATA

| | |
|-----------------------|-----------------|
| Weight (lbs.) | 221 (100 kg) |
| Height - Crated (in.) | 40 (1016 mm) |
| Width - Crated (in.) | 40 (1016 mm) |
| Depth - Crated (in.) | 37 1/4 (946 mm) |

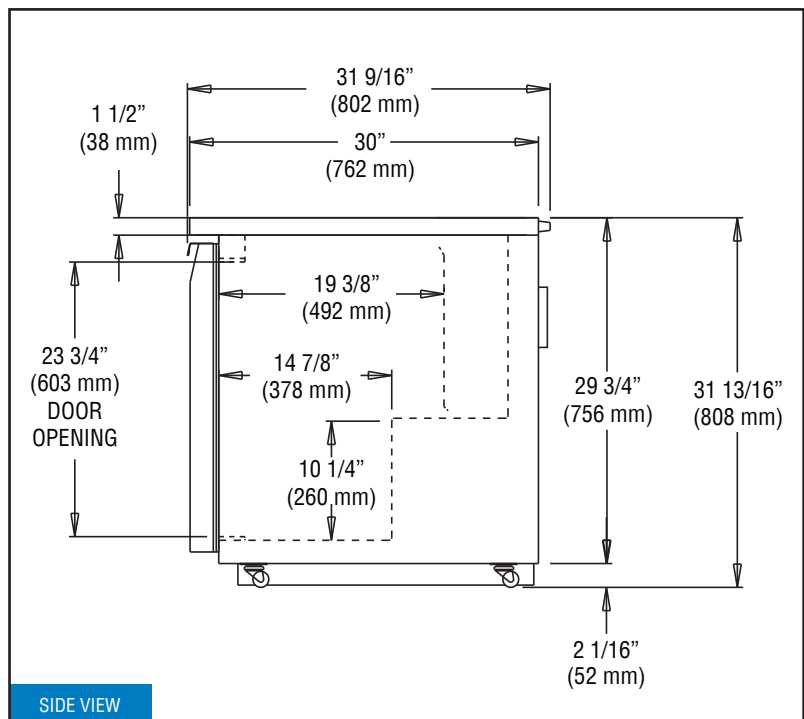
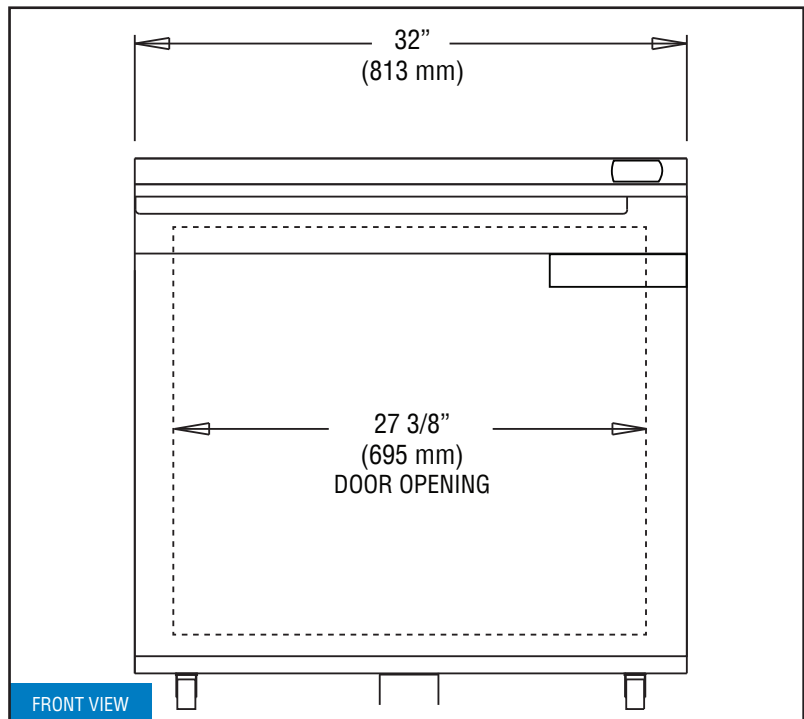
* Rating @ -15°F evaporator, 90°F ambient

Figures in parentheses reflect metric equivalents rounded to the nearest whole unit.



Equipped with one NEMA-5-15P Plug
(varies by country)

Model Plan Views



NOTE: For proper operation, the area under and in front of the cabinet **must** not be obstructed in any way.

Continental
Refrigerator

Toll-Free: 800-523-7138
Phone: 215-244-1400
Fax: 215-244-9579

539 Dunkserry Road
Bensalem, PA 19020
www.continentalrefrigerator.com

Due to our continued efforts in developing innovative products, specifications subject to change without notice.



MADE IN THE U.S.A.

© Copyright 2018. Continental Refrigerator.
A Division of National Refrigeration & Air Conditioning Products, Inc.