

# Continental

*Designer-line*  
REFRIGERATORS

**Refrigerator**

**EXTRA-WIDE  
SLIDING GLASS DOOR  
DISPLAY REFRIGERATOR**

## Standard Features

Utilizing Environmentally Safe, CFC-free R-134a Refrigerant



DL2RE-SS-SGD

- Modern, State-of-the-Art Styling
- Performance Rated Refrigeration System Utilizing Environmentally Safe R-134a Refrigerant
- 3" Non-CFC Polyurethane Foam Insulation
- Self-Closing Doors
- Cylinder Lock in Each Door
- Automatic Electric Condensate Evaporator
- 6" Stainless Steel Legs
- Heavy Duty, Epoxy-Coated Steel Shelves
- External Dial Thermometer
- Double-Pane, Tempered Sliding Glass Doors
- Fluorescent Interior Lighting

Standard (S/S Front, Aluminum Ends & Interior)  
Suffix SA (S/S Exterior, Aluminum Interior)  
Suffix SS (S/S Exterior & Interior)

## Options & Accessories

- Half Door
- Remote
- Pass-Thru  
(Glass One Side Only)
- Pan Slide Assemblies
- Casters
- Stainless Steel  
Shelves
- Consult Factory

### Refrigeration System

A "Performance Rated", air cooled, hermetically sealed, capillary-type refrigeration system is installed on the top of each refrigerator. Plasticized fin coil and air circulating fans are contained within a concealed "plug" type insulated housing, readily accessible on top of the cabinet and separate from the food zone to increase food storage capacity. The entire "plug" system is fully charged with environmentally safe R-134a refrigerant and mounted on a sturdy steel, rail-type base which can be easily removed if freezer conversion is desired. Refrigerators are designed to maintain 38 to 40 degrees Fahrenheit (3 to 5 degrees Centigrade) while operating with an unrestricted air supply in a maximum ambient temperature of 100 degrees Fahrenheit. All condensate water is evaporated by an automatic non-electric, corrosion-resistant condensate evaporator. A strict quality-assurance team inspects all materials and components to certify that each model conforms to the most exacting standards. All models are factory performance tested for a minimum of 16 hours prior to crating.

### Cabinet Construction

All materials are of top quality, assembled to conform with strict quality-assurance requirements. The cabinet front is constructed of heavy-gauge polished stainless steel for durability. All cabinet joints and seams are sealed vapor-tight. Case is of all metal, welded construction and internally supported and braced for a rigid unit construction. Cabinet design eliminates overlapping panels with raw edges. Cabinet body is insulated with non-CFC, foamed-in-place polyurethane foam with an average thickness of 3 inches to ensure increased energy efficiency. Full length louvered air grille located above the doors allows equal air circulation to the condensing unit. Easily removable, low wattage, anti-sweat door heaters concealed by a non-metallic, non-conductive, high-impact thermal breaker strip eliminate condensate build-up on the cabinet front. Fluorescent lighting is activated by an easily accessible interior switch. Cabinets are equipped with 6-inch adjustable stainless steel legs.

### Shelving

Shelves are designed for heavy-duty use with .306" diameter frame and brace members and .140" diameter fill wires spaced  $\frac{3}{4}$ " apart. Shelves are welded steel and epoxy-coated for a durable, long, rust-free service life. Adjustments are in  $\frac{1}{2}$ " increments and a wide door opening allows the use of a variety of optional pan and tray slide types.

### Door Construction

Self-closing double-pane, tempered sliding glass is encased by a heated, heavy-duty aluminum extruded frame. Doors glide on stainless steel, heavy duty, ball bearing wheels. Doors are provided with built-in cylinder lock.





**CHARACTERISTICS  
DIMENSIONAL DATA**

Net Capacity (cu. ft.)  
Width, Overall (in.)  
Depth, Overall (Incl. Hdls.) (in.)  
Depth (Less Door(s)) (in.)  
Clear Door Width (in.)  
Clear Full-Door Height (in.)  
Clear Half-Door Height (in.)  
Height, Overall (Incl. 5" Casters)  
No. of Full Door(s)  
No. of Half Door(s)  
No. of Shelves  
Shelf Area (sq. ft.)  
Tray Slide Capacity (Half)  
Tray Slide Capacity (Full)

**DL2RE-SGD  
REACH-IN**

52  
57  
34  
32  
21<sup>7</sup>/<sub>8</sub>  
58<sup>1</sup>/<sub>4</sub>  
27  
83<sup>1</sup>/<sub>4</sub>  
2  
4  
8  
47.6  
12 ea.  
24 ea.

**DL2RE-SGD-PT  
PASS-THRU  
(GLASS ONE SIDE ONLY)**

52  
57  
36  
32  
21<sup>7</sup>/<sub>8</sub>  
58<sup>1</sup>/<sub>4</sub>  
27  
83<sup>1</sup>/<sub>4</sub>  
4  
8  
8  
47.6  
12 ea.  
24 ea.

**REFRIGERATION DATA**

Condensing Unit Size (H.P.)  
Capacity (BTU/Hr)\*

<sup>1</sup>/<sub>2</sub>  
4010

<sup>1</sup>/<sub>2</sub>  
4010

**ELECTRICAL DATA**

Cabinet Specifications  
Feed Wires (Incl. Ground)  
Condensing Unit Specs.  
Total Amperes  
Cabinet Amperes  
Defrost Amperes  
Power Supply Cord

115/60/1  
3  
115/60/1  
13.6  
4.1  
-  
yes

115/60/1  
3  
115/60/1  
14.3  
4.8  
-  
yes

**SHIPPING DATA**

Height – crated (in.)  
Width – crated (in.)  
Depth – crated (in.)  
Volume – crated (cu.ft.)  
Weight Std – crated (lbs.)  
Weight SS – crated (lbs.)  
Weight Std – uncrated (lbs.)  
Weight SS – uncrated (lbs.)

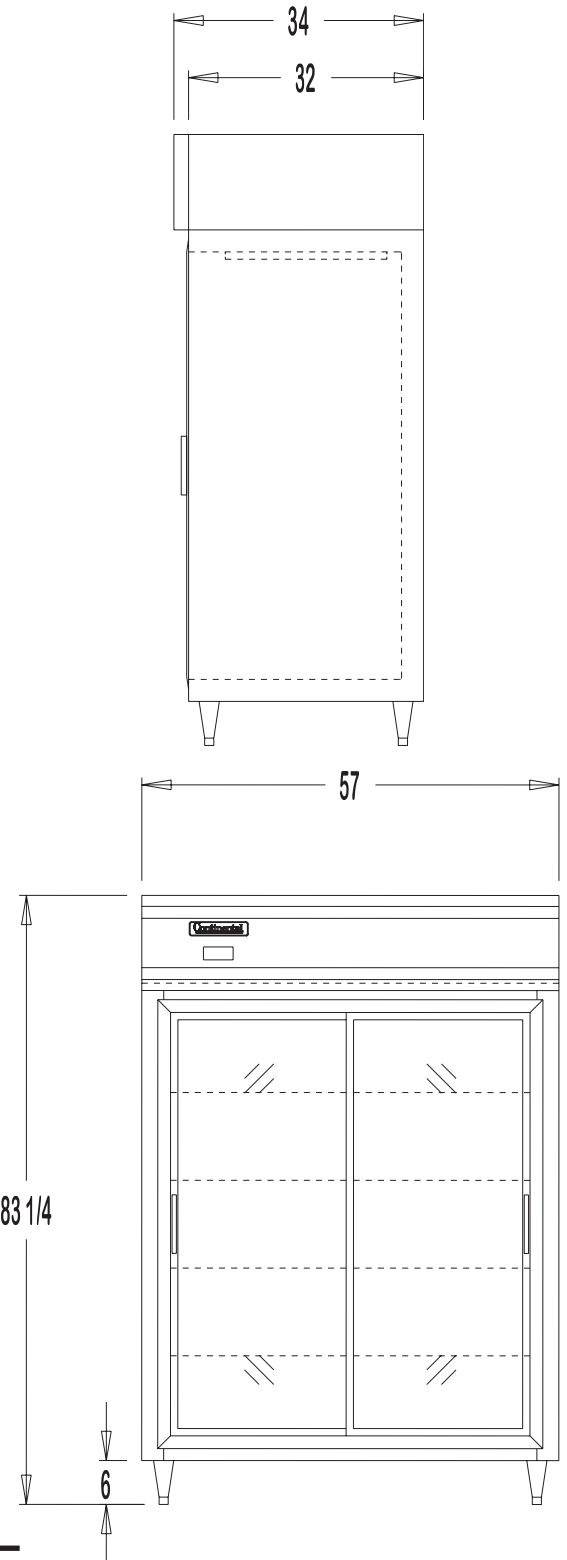
82  
58  
42  
116  
545  
675  
375  
455

82  
58  
42  
116  
645  
725  
445  
525

\* Rating @ +25°F Evaporator, 90° Ambient

Note: All specifications subject to change without notice.

Note: If the cabinet is located directly against wall and/or under low ceiling, a minimum clearance of 12" is required.



A Division of National Refrigeration & A/C Products, Inc.  
539 Dunksferry Road Bensalem, PA 19020  
(800) 523-7138 Fax: (215) 244-9579  
www.continentalrefrigerator.com