

Continental

Refrigerator

SLIM LINE FREEZERS



1FSE

2FSE

Utilizing Environmentally Safe, CFC-free R-404A Refrigerant

Standard Features

- Modern, State-of-the-Art Styling
- Performance Rated Refrigeration System Designed for 0°F Cabinet
- High Density Non-CFC Polyurethane Foamed-In-Place Insulation
- Will Accommodate 12 x 20 Pans
- Chrome Plated Flow Line Handles
- Cam-Action Lift-Off Hinges
- Self-Closing Doors
- Automatic Interior Lighting
- Magnetic Snap-In Door Gasket
- Field Rehingeable Doors (model 1FSE only)
- Automatic Electric Condensate Evaporator
- 5" Casters
- Heavy-Duty, Epoxy-Coated Steel Shelves
- External Dial Thermometer
- Automatic Electric Defrost

Standard (S/S Front, Aluminum End Panels & Interior)

Suffix SA (S/S Exterior, Aluminum Interior)

Suffix SS (S/S Exterior & Interior)

Optional Features & Accessories

- Legs
- Stainless Steel Case Back
- Rehinging of Doors
- Remote
- Half Door
- Pass-Thru (2 Sec. Model Only)
- Stainless Steel Shelves
- Digital Thermometer
- Increased Refrigeration Systems (only for 2 sec Model)
- Shallow Depth (2 Sec. Model Only)



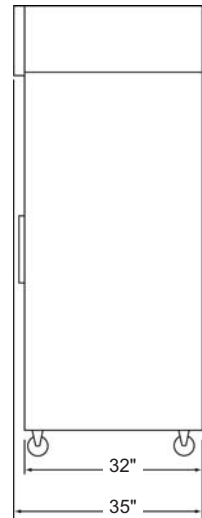
Slim-Line Freezers

CHARACTERISTICS	1FSE	2FSE
	One Section Reach-In	Two Section Reach-In
DIMENSIONAL DATA		
Net Capacity (cu.ft.)	15	30
Width, Overall (in.)	17 ³ / ₄	36 ¹ / ₄
Depth, Overall (Incl. Hlds.) (in.)	35 ¹ / ₂	35 ¹ / ₂
Depth (Less Door(s)) (in.)	32	32
Depth (Door(s) Open 90°) (in.)	47 ³ / ₈	48 ¹ / ₂
Clear Door Width (in.)	13 ³ / ₄	13
Clear Full-Door Height (in.)	61 ¹ / ₄	58 ⁵ / ₈
Clear Half-Door Height (in.)	30 ⁷ / ₈	N/A
Height, Overall (Incl. 5" Casters) (in.)	82 ¹ / ₄	82 ¹ / ₄
No. of Full Door(s)	1	2
No. of Half Door(s)	2	N/A
No. of Shelves	4	3
Shelf Area (sq. ft.)	9.3	24.4
REFRIGERATION DATA		
Condensing Unit Size (H.P.)	1/3	1/2
Capacity (BTU/Hr)*	1590	1840
ELECTRICAL DATA		
Cabinet Specifications	115/60/1	115/60/1
Feed Wires (Incl. Ground)	3	3
Condensing Unit Specs.	115/60/1	115/60/1
Total Amperes	7.5	10.3
Cabinet Amperes	1.6	1.8
Defrost Amperes	4.0	6.5
Power Supply Cord	yes	yes
SHIPPING DATA		
Height – crated (in.)	85 ¹ / ₂	85 ¹ / ₂
Width – crated (in.)	31 ⁵ / ₈	42
Depth – crated (in.)	42	42
Volume – crated (cu. ft.)	65	87
Weight Std – crated (lbs.)	290	445
Weight SS – crated (lbs.)	350	505
Weight Std – uncrated (lbs.)	190	345
Weight SS – uncrated (lbs.)	250	405

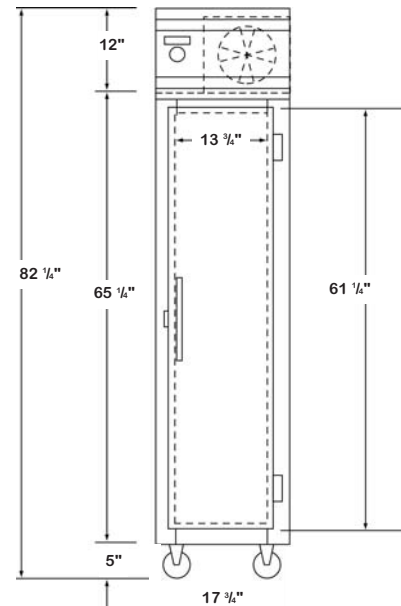
*Rating @ -15°F Evaporator, 90° Ambient

Note: If the cabinet is located directly against wall and/or under low ceiling, a minimum clearance of 12" is required.

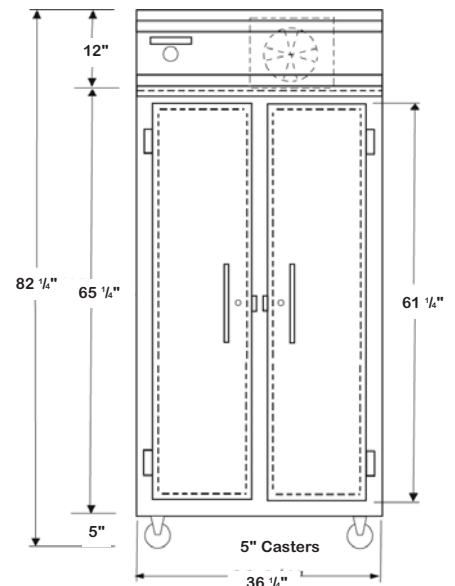
Note: All specifications subject to change without notice.



SIDE VIEW



1FSE FRONT VIEW



2FSE FRONT VIEW



A Division of National Refrigeration & A/C Products, Inc.
 539 Dunksferry Road Bensalem, PA 19020
 (800) 523-7138 Fax: (215) 244-9579
 www.continentalrefrigerator.com