

Continental

Designer-line
REFRIGERATORS

Utilizing Environmentally Safe, CFC-free R-134a Refrigerant



MC3-S

Models Available

- MC3-S •MC3-D
- MC4-S •MC4-D
- MC5-S •MC5-D

Refrigerator

FORCED AIR MILK COOLERS

Standard Features

- Unique Air Flow Curtain And Performance Rated, R-134a Refrigeration System Designed To Keep Milk Cold During Serving
- Modern, State-Of-The-Art Styling
- Available in Both Single(S) and Double(D) Service Access
- Cabinet Construction Consisting Of Stainless Steel Top, Lid And Door, White Finish Steel Body and Galvanized Steel Interior with Reinforced Stainless Steel Floor
- Non-Corrosive, Heavy Duty, Epoxy Coated Steel Wire Floor Racks
- Heavy Duty, Stainless Steel Lid And Door Hinges and Latches
- 2" High Density, Non-CFC Polyurethane Foamed-In-Place Insulation
- Easily Serviceable Rear Mounted Compressor
- Exterior Mounted, Easily Readable Dial Thermometer
- Snap-In Lid And Door Gasket
- Door Cylinder Security Lock
- Swivel Type, Heavy-Duty Casters (Front Locking)
- Automatic, Energy Saving, Non-Electric Condensate Disposal With Easily Accessible, Convenient Cleanout Floor Drain
- Extra Long, 10' Power Supply Cord And Plug Attached

Optional Features & Accessories

- Stainless Steel Exterior •Stainless Steel Interior
- Wrap Around Bumpers •Corner Bumpers
- 6" Adjustable Legs •Floor Lock

REFRIGERATION SYSTEM

The self-contained refrigeration system is concealed within an easily serviceable rear mounted, slide out chassis. A bottom mounted full-length rear grill allows for even air circulation to condensing unit. A "performance rated", hermetically sealed, capillary type refrigeration system is designed to keep milk cold during serving with a unique airflow curtain feature. All condensate water is directed to an automatic non-electric condensate vaporizer located in the compressor compartment. A strict quality assurance team inspects all materials and components to certify that each model conforms to the most exacting standards. All models are performance tested for a minimum of 16 hours prior to crating

CABINET CONSTRUCTION

All materials are of top quality, and are assembled under rigid supervision conforming to strict quality assurance requirements. Case is of all metal welded construction and is internally supported and braced for rigid unit construction. All cabinet joints and seams are vapor-tight sealed.

INSULATION

All cabinet walls, top, bottom, lids and doors have an average of 2" of high density, non-CFC, polyurethane foamed in place insulation.

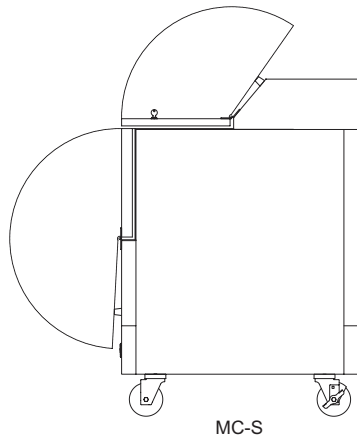
DOOR & LID CONSTRUCTION

Doors and lids are constructed of a heavy gauge stainless steel and are internally braced and urethane foam insulated for rigidity. Doors, lid hinges, and latches are heavy duty and constructed of stainless steel. All gaskets are self-adjusting and snap-in type, creating a positive seal. Doors are provided with built in cylinder security locks.

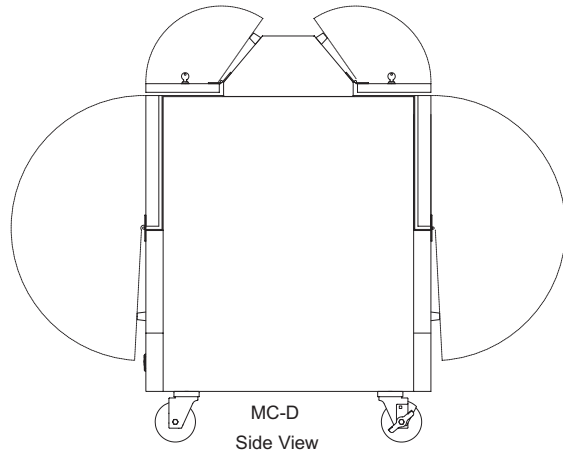


SPECIFICATIONS

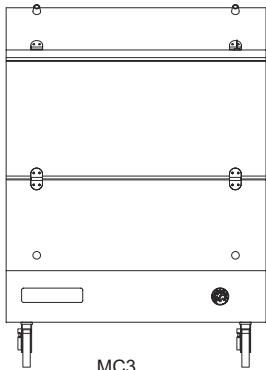
	MC3-S	MC3-D	MC4-S	MC4-D	MC5-S	MC5-D
DIMENSIONAL DATA						
Net Capacity (cu.ft.)	13	13	20	20	24	24
Crate Capacity (13" x13" x11")	8	8	12	12	16	16
Crate Capacity (19" x13" x11")	4	4	8	8	10	10
Width, Overall (in.)	34	34	49	49	58	58
Depth (in.)	33	33	33	33	33	33
Height, Overall (in.)	47	47	47	47	47	47
Service Access	Single	Double	Single	Single	Single	Double
Condensing Unit Size (HP)	1/4	1/4	1/3	1/3	1/3	1/3
Refrigerant	R-134a	R-134a	R-134a	R-134a	R-134a	R-134a
Cabinet Electrical	115/60/1	115/60/1	115/60/1	115/60/1	115/60/1	115/60/1
Power Cord Supply	yes	yes	yes	yes	yes	yes



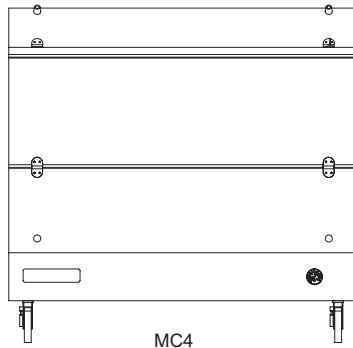
MC-S



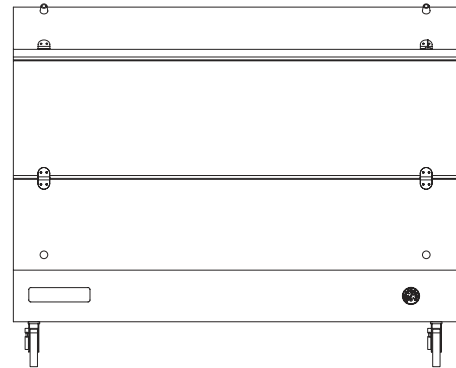
MC-D
Side View



MC3



MC4



MC5