

# DESIGNER LINE WARMER

**Model: DL1WE**

*Designer Line*

## 1-Section Extra-Wide Reach-In Warmer

**DL1WE** - Stainless steel front, aluminum end panels and interior  
**DL1WE-SA** - Stainless steel exterior, aluminum interior  
**DL1WE-SS** - Stainless steel exterior and interior



## Options and Accessories

(upcharge and lead times may apply)

|  |  |
|--|--|
| Stainless steel case back              | Pass-Thru (consult factory)  |
| Additional chrome plated steel shelves | Special electrical req. (consult factory)  |
| Stainless steel shelves                | <b>Correctional Facility Options</b>   |
| Pan slide assemblies                   | <ul style="list-style-type: none"> <li>One way security screws</li> </ul>          |
| Casters                                | <ul style="list-style-type: none"> <li>Locking hasp (lock not included)</li> </ul> |
| Custom laminates                       | <ul style="list-style-type: none"> <li>Stainless steel mesh cover</li> </ul>       |
| Half doors                             | <ul style="list-style-type: none"> <li>Coverless hinges</li> </ul>                 |
| Hinged glass door (consult factory)    |  |

Consult factory for other model configurations, options and accessories.

Project Name:

Model Specified:

Location:

Item No:

Quantity:

AIA #:

SIS #:

## Standard Model Features

### HEATING SYSTEM

Self contained, performance rated heating system  
 90°F to 180°F temperature range  
 Top mounted heating plenum "plug" with circulating fan  
 Unique air flow distribution ducts

### CABINET ARCHITECTURE

3" non-CFC polyurethane foam insulation  
 Smooth, polished chrome workflow door handle  
 Cam action, lift off hinges  
 Self-closing door  
 Magnetic snap in Santoprene™ door gasket  
 Cylinder lock in door  
 Heavy duty, chrome plated steel shelves  
 Heavy duty pilaster strips  
 Adjustable 6" stainless steel legs

### MODEL FEATURES

Automatic interior lighting  
 Electronic controller with digital display & hi-low alarm  
 Stainless steel strip heaters located in base of interior  
 Rehinging of door (in the field)

APPROVAL:

**Continental**  
 Refrigerator

Toll-Free: 800-523-7138  
 Phone: 215-244-1400  
 Fax: 215-244-9579

539 Dunksferry Road  
 Bensalem, PA 19020  
[www.continentalrefrigerator.com](http://www.continentalrefrigerator.com)

# Model Specifications

## DIMENSIONAL DATA

|   |                  |
|---|------------------|
| Net Capacity (cubic feet)                       | 22 (623 cu l)    |
| Width, Overall (inches)                         | 28 1/2 (724 mm)  |
| Depth, Overall (inches)<br>(including handle)   | 35 3/8 (899 mm)  |
| Depth (inches) (less door)                      | 32 (813 mm)      |
| Depth (inches) (door open 90°)                  | 58 (1473 mm)     |
| Clear Door Width (inches)                       | 21 7/8 (556 mm)  |
| Clear Door Height (inches)                      | 58 5/8 (1489 mm) |
| Height, Overall (inches)<br>(including 6" legs) | 83 1/4 (2115 mm) |
| Number of Doors                                 | 1                |
| Number of Shelves                               | 3                |
| Shelf Area (square feet)                        | 22.2 (2.1 sq m)  |
| Tray Slide Capacity                             | 19               |

## ELECTRICAL DATA

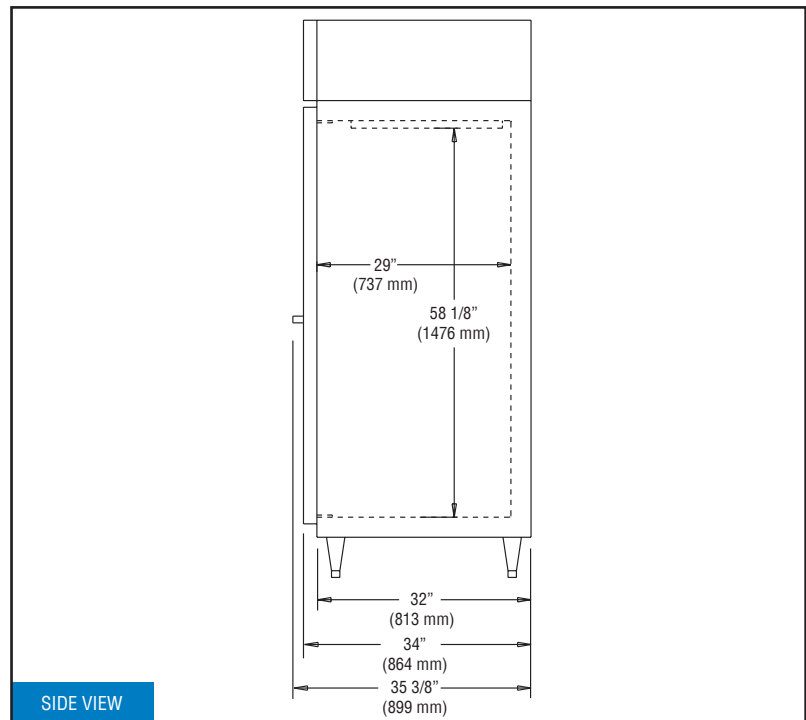
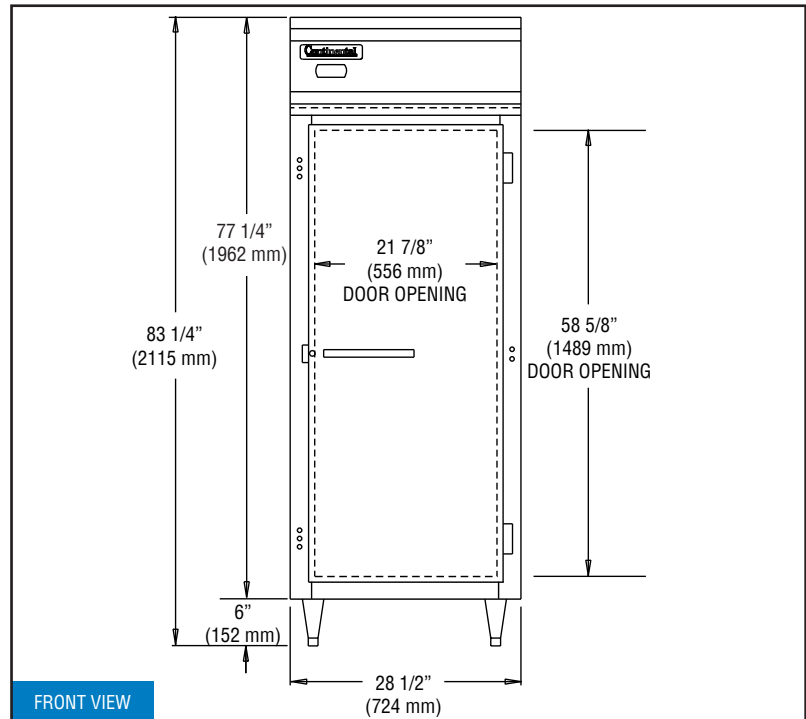
|                                  |              |
|----------------------------------|--------------|
| Voltage                          | 208-230/60/1 |
| Feed Wires (including ground)    | 3            |
| Total Amps (International)       | 7.2 (7.2)    |
| Total Wattage @ 208-230 volts    | 1500         |
| 10 ft. Cord/Plug (International) | No (No)      |

## SHIPPING DATA

|                              |                  |
|------------------------------|------------------|
| Height - Crated (inches)     | 85 1/2 (2172 mm) |
| Width - Crated (inches)      | 31 5/8 (803 mm)  |
| Depth - Crated (inches)      | 42 (1067 mm)     |
| Volume - Crated (cubic feet) | 65 (1841 cu l)   |
| Weight Std - Crated (pounds) | 290 (132 kg)     |
| Weight SS - Crated (pounds)  | 305 (138 kg)     |

Figures in parentheses reflect metric equivalents rounded to the nearest whole unit.

# Model Plan Views



**IMPORTANT NOTE:** If the cabinet is located directly against a wall and/or under a low ceiling, a minimum clearance of 12" is required on top and 3" on sides and rear.



Toll-Free: 800-523-7138  
Phone: 215-244-1400  
Fax: 215-244-9579

539 Dunksferry Road  
Bensalem, PA 19020  
[www.continentalrefrigerator.com](http://www.continentalrefrigerator.com)

Due to our continued efforts in developing innovative products, specifications subject to change without notice.

