

DESIGNER LINE REFRIGERATOR/WARMER

Model: DL2RW-PT



2-Section Dual Temp, Pass-Thru Refrigerator/Warmer

Refrigerator (left)/Warmer (right). Sections can be changed at time of order.

- DL2RW-PT** - Stainless steel front, aluminum end panels and interior
- DL2RW-SA-PT** - Stainless steel exterior, aluminum interior
- DL2RW-SS-PT** - Stainless steel exterior and interior



Options and Accessories

(upcharge and lead times may apply)

Chrome or stainless steel shelves	Special electrical req. (consult factory)
Rehinging of doors (consult factory)	Refrigerator Section Only
Expansion valve system	Additional epoxy coated steel shelves
Pan slide assemblies	Wine Rack
Casters	Correctional Facility Options
Custom laminates	<ul style="list-style-type: none"> • One way security screws
Half doors	<ul style="list-style-type: none"> • Locking hasp (lock not included)
Hinged glass doors (consult factory)	<ul style="list-style-type: none"> • Stainless steel mesh cover
Increased refrigeration systems	<ul style="list-style-type: none"> • Coverless hinges

Consult factory for other model configurations, options and accessories.



Toll-Free: 800-523-7138
 Phone: 215-244-1400
 Fax: 215-244-9579

539 Dunksferry Road
 Bensalem, PA 19020
www.continentalrefrigerator.com

Project Name:

Model Specified:

Location:

Item No:

Quantity:

AIA #:

SIS #:

Standard Model Features

REFRIGERATOR SECTION

Separate, self-contained, performance rated "plug" refrigeration system

Environmentally safe R-134a refrigerant

(3) heavy duty, epoxy coated steel shelves

WARMER SECTION

Separate, self-contained, performance rated heating system

90°F to 180°F temperature range

Top mounted heating plenum "plug" with circulating fan

Stainless steel strip heaters located in base of interior

(3) Heavy duty, chrome plated steel shelves

CABINET ARCHITECTURE

3" non-CFC polyurethane foam insulation

Smooth, polished chrome workflow door handles

Cam action, lift off hinges

Self-closing doors

Magnetic snap in Santoprene™ door gaskets

Cylinder lock in each door

Heavy duty pilaster strips

Adjustable 6" stainless steel legs

MODEL FEATURES

Unique air flow distribution ducts

Automatic interior lighting

(2) Electronic controllers with digital display & hi-low alarm

Automatic, hot gas condensate evaporator

Refrigeration/heating system is readily accessible on top of cabinet, separate from the "food zone"

Cabinet upper side panels and refrigeration "plug" system can be removed and reinstalled on job site

APPROVAL:

Model Specifications

DIMENSIONAL DATA [R/W]

Net Capacity (cubic feet)	21/21 (595/595 cu l)
Width, Overall (inches)	52 (1321 mm)
Depth, Overall (inches) (including handles)	38 3/4 (984 mm)
Depth (inches) (less doors)	32 (813 mm)
Depth (inches) (doors open 90°)	79 (2007 mm)
Clear Door Width (inches)	19 3/8 (492 mm)
Clear Door Height (inches)	58 5/8 (1489 mm)
Height, Overall (inches) (including 6" legs)	83 1/4 (2115 mm)
Number of Doors	4
Number of Shelves	6
Shelf Area (square feet)	40.8 (3.8 sq m)
Tray Slide Capacity (refrigerator)	24
Tray Slide Capacity (warmer)	19

REFRIGERANT DATA

Condensing Unit Size (H.P.)	1/4
Capacity (BTU per hour)*	1940

ELECTRICAL DATA [R/W]

Voltage [R] (International)	115/60/1 (220/50/1)
Voltage [W]	208-230/60/1
Feed Wires (including ground)	3/3
Total Amps (International)	5.5 (7.5)/7.2 (7.2)
Total Wattage @ 208-230 volts	2250
10 ft. Cord/Plug (International)	Yes (No)/No

SHIPPING DATA

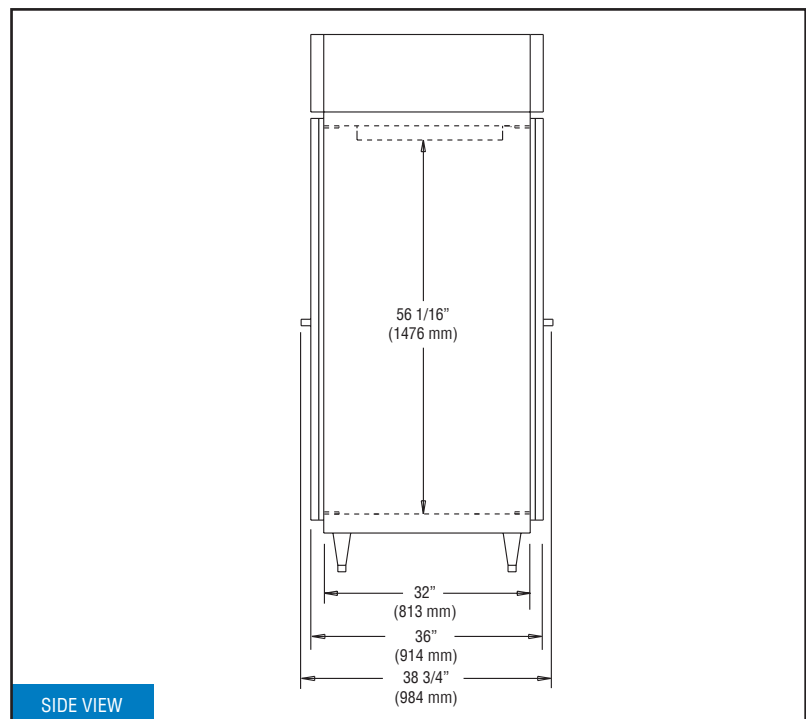
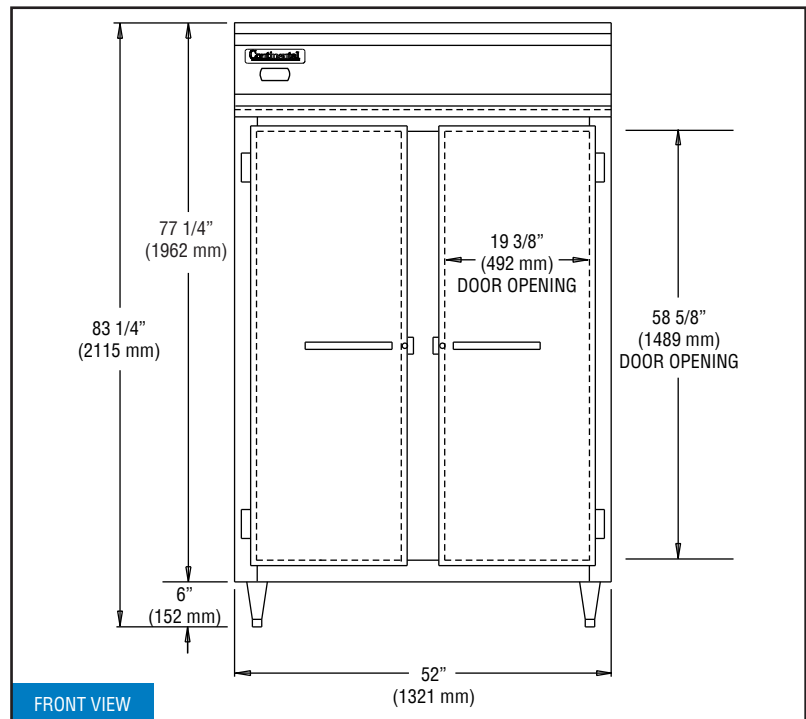
Height - Crated (inches)	85 1/2 (2172 mm)
Width - Crated (inches)	64 (1626 mm)
Depth - Crated (inches)	42 (1067 mm)
Volume - Crated (cubic feet)	133 (3766 cu l)
Weight Std - Crated (pounds)	595 (270 kg)
Weight SS - Crated (pounds)	625 (283 kg)

* Rating @ +25°F evaporator, 90°F ambient
Figures in parentheses reflect metric equivalents rounded to the nearest whole unit.

Refrigerator Section Only:
Equipped with one NEMA-5-15P Plug (varies by country)



Model Plan Views



IMPORTANT NOTE: If the cabinet is located directly against a wall and/or under a low ceiling, a minimum clearance of 12" is required on top and 3" on sides and rear.

Continental
Refrigerator

Toll-Free: 800-523-7138
Phone: 215-244-1400
Fax: 215-244-9579

539 Dunksferry Road
Bensalem, PA 19020
www.continentalrefrigerator.com

Due to our continued efforts in developing innovative products, specifications subject to change without notice.

