

# DESIGNER LINE WARMER

**Model: DL2W-PT**

*Designer Line*

## 2-Section Pass-Thru Warmer

**DL2W-PT** - Stainless steel front, aluminum end panels and interior  
**DL2W-PT-SA** - Stainless steel exterior, aluminum interior  
**DL2W-PT-SS** - Stainless steel exterior and interior



## Options and Accessories

(upcharge and lead times may apply)

Stainless steel case back	Rehinging of doors (consult factory)
Additional chrome plated steel shelves	Special electrical req. (consult factory)
Stainless steel shelves	<b>Correctional Facility Options</b>
Pan slide assemblies	<ul style="list-style-type: none"> <li>One way security screws</li> </ul>
Casters	<ul style="list-style-type: none"> <li>Locking hasp (lock not included)</li> </ul>
Custom laminates	<ul style="list-style-type: none"> <li>Stainless steel mesh cover</li> </ul>
Half doors	<ul style="list-style-type: none"> <li>Coverless hinges</li> </ul>
Hinged glass doors (consult factory)	

Consult factory for other model configurations, options and accessories.

Project Name:

Model Specified:

Location:

Item No:

Quantity:

AIA #:

SIS #:

## Standard Model Features

### HEATING SYSTEM

Self contained, performance rated heating system  
 90°F to 180°F temperature range  
 Top mounted heating plenum "plug" with circulating fan  
 Unique air flow distribution ducts

### CABINET ARCHITECTURE

3" non-CFC polyurethane foam insulation  
 Smooth, polished chrome workflow door handles  
 Cam action, lift off hinges  
 Self-closing doors  
 Magnetic snap in Santoprene™ door gaskets  
 Cylinder lock in each door  
 Heavy duty, chrome plated steel shelves  
 Heavy duty pilaster strips  
 Adjustable 6" stainless steel legs

### MODEL FEATURES

Automatic interior lighting  
 Electronic controller with digital display & hi-low alarm  
 Stainless steel strip heaters located in base of interior

**Continental**  
 Refrigerator

Toll-Free: 800-523-7138  
 Phone: 215-244-1400  
 Fax: 215-244-9579

539 Dunksferry Road  
 Bensalem, PA 19020  
[www.continentalrefrigerator.com](http://www.continentalrefrigerator.com)

APPROVAL:

## Model Specifications

### DIMENSIONAL DATA

Net Capacity (cubic feet)	50 (1416 cu l)
Width, Overall (inches)	52 (1321 mm)
Depth, Overall (inches) (including handles)	35 <sup>3</sup> / <sub>8</sub> (899 mm)
Depth (inches) (less doors)	32 (813 mm)
Depth (inches) (doors open 90°)	55 <sup>1</sup> / <sub>2</sub> (1410 mm)
Clear Door Width (inches)	19 <sup>3</sup> / <sub>8</sub> (492 mm)
Clear Door Height (inches)	58 <sup>5</sup> / <sub>8</sub> (1489 mm)
Height, Overall (inches) (including 6" legs)	83 <sup>1</sup> / <sub>4</sub> (2115 mm)
Number of Doors	4
Number of Shelves	6
Shelf Area (square feet)	40.8 (3.8 sq m)
Tray Slide Capacity (per section)	19

### ELECTRICAL DATA

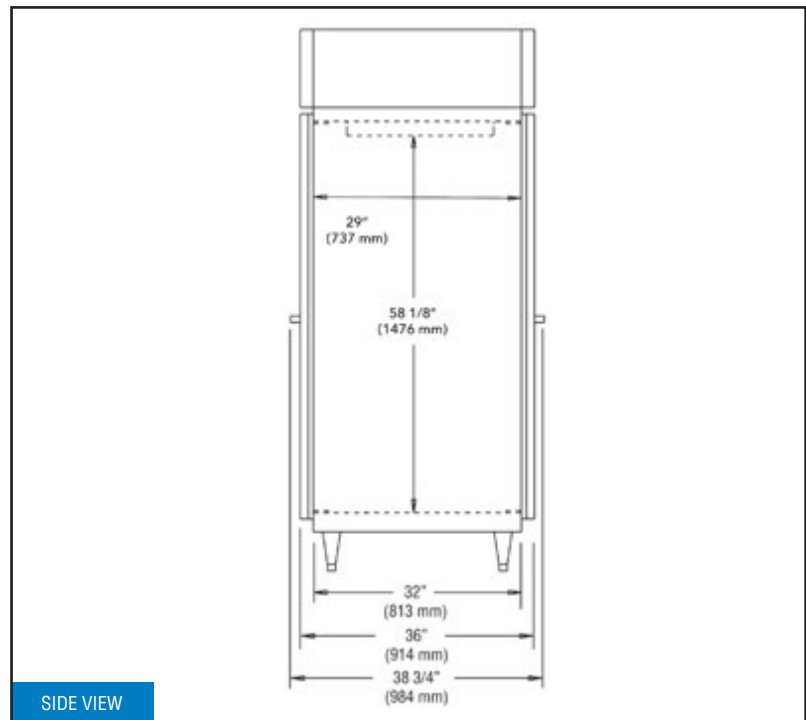
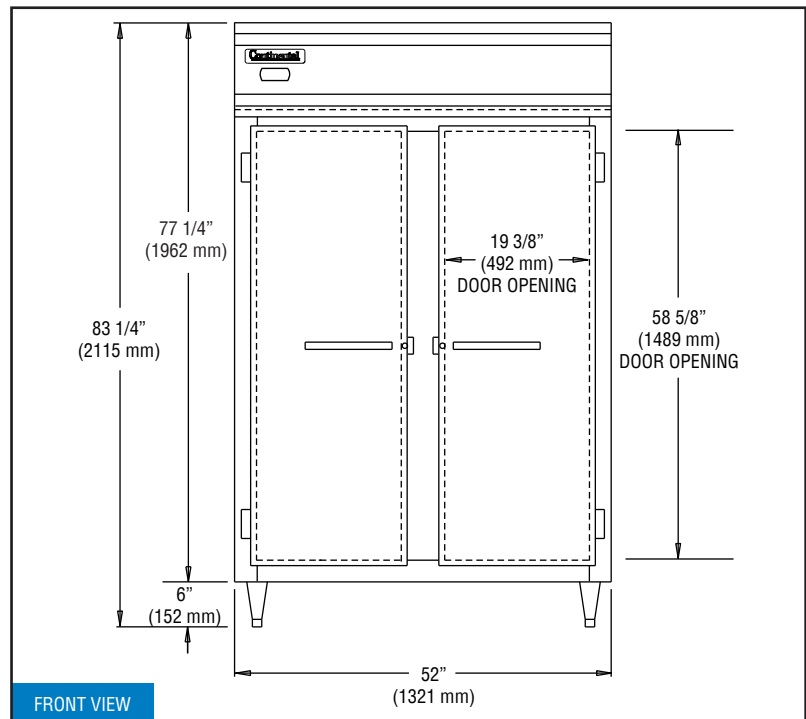
Voltage	208-230/60/1
Feed Wires (including ground)	3
Total Amps (International)	10.6 (10.6)
Total Wattage @ 208-230 volts	2250
10 ft. Cord/Plug (International)	No (No)

### SHIPPING DATA

Height - Crated (inches)	85 <sup>1</sup> / <sub>2</sub> (2172 mm)
Width - Crated (inches)	64 (1626 mm)
Depth - Crated (inches)	42 (1067 mm)
Volume - Crated (cubic feet)	133 (3766 cu l)
Weight Std - Crated (pounds)	433 (196 kg)
Weight SS - Crated (pounds)	455 (206 kg)

Figures in parentheses reflect metric equivalents rounded to the nearest whole unit.

## Model Plan Views



**IMPORTANT NOTE:** If the cabinet is located directly against a wall and/or under a low ceiling, a minimum clearance of 12" is required on top and 3" on sides and rear.

**Continental**  
Refrigerator

Toll-Free: 800-523-7138  
Phone: 215-244-1400  
Fax: 215-244-9579

539 Dunksferry Road  
Bensalem, PA 19020  
[www.continentalrefrigerator.com](http://www.continentalrefrigerator.com)

Due to our continued efforts in developing innovative products, specifications subject to change without notice.

