

PASS-THRU FREEZER (0°F)

Model: DL3F-PT

Designer line

3-Section Pass-Thru Freezer

DL3F-PT - Stainless steel front, aluminum end panels and interior
DL3F-SA-PT - Stainless steel exterior, aluminum interior
DL3F-SS-PT - Stainless steel exterior and interior



Options and Accessories

(upcharge and lead times may apply)

Additional epoxy coated steel shelves	Casters
Chrome or stainless steel shelves	Special electrical req. (consult factory)
Pan slide assemblies	Correctional Facility Options
Rehinging of doors (consult factory)	<ul style="list-style-type: none">One way security screws
Expansion valve system	<ul style="list-style-type: none">Locking hasp (lock not included)
Custom laminates	<ul style="list-style-type: none">Stainless steel mesh cover
Half doors	<ul style="list-style-type: none">Coverless hinges

Consult factory for other model configurations, options and accessories.

Continental[®]
Refrigerator

Toll-Free: 800-523-7138
Phone: 215-244-1400
Fax: 215-244-9579

539 Dunksferry Road
Bensalem, PA 19020
www.continentalrefrigerator.com

Project Name:

Model Specified:

Location:

Item No:

Quantity:

AIA #:

SIS #:

Standard Model Features

REFRIGERATION SYSTEM

Self contained, performance rated
“plug” refrigeration system
Environmentally safe R-404A refrigerant
Refrigeration system is readily accessible on
top of cabinet, separate from the “food zone”
Automatic, hot gas condensate evaporator

CABINET ARCHITECTURE

3” non-CFC polyurethane foam insulation
Smooth, polished chrome workflow door handles
Cam action, lift off hinges
Self closing doors
Magnetic snap-in Santoprene™ door gaskets
Cylinder lock in each door
Heavy duty pilaster strips
Heavy duty, epoxy coated steel shelves
Adjustable 6” stainless steel legs

MODEL FEATURES

LED interior lighting
Electronic controller with digital display & hi-low alarm
Automatic electric defrost
Top and side air distribution ducts
Cabinet upper side panels and refrigeration “plug”
system can be removed and reinstalled at job site

APPROVAL:

Model Specifications

DIMENSIONAL DATA

Net Capacity (cubic feet)	70 (1982 cu l)
Width, Overall (inches)	78 (1981 mm)
Depth, Overall (inches) (including handles)	38 ¾ (984 mm)
Depth [less doors] (inches)	32 (813 mm)
Depth [doors open 90°] (inches)	79 (2007 mm)
Clear Door Width (inches)	19 ⅝ (492 mm)
Clear Door Height (inches)	58 ⅝ (1489 mm)
Height, Overall (inches) (including 5" casters)	85 ¾ (2178 mm)
Number of Door(s)	6
Number of Shelves	9
Shelf Area (square feet)	61.2 (5.7 sq m)
Tray Slide Capacity (per section)	24

REFRIGERANT DATA

Condensing Unit Size (H.P.)	1
Capacity (BTU per hour)*	4010

ELECTRICAL DATA

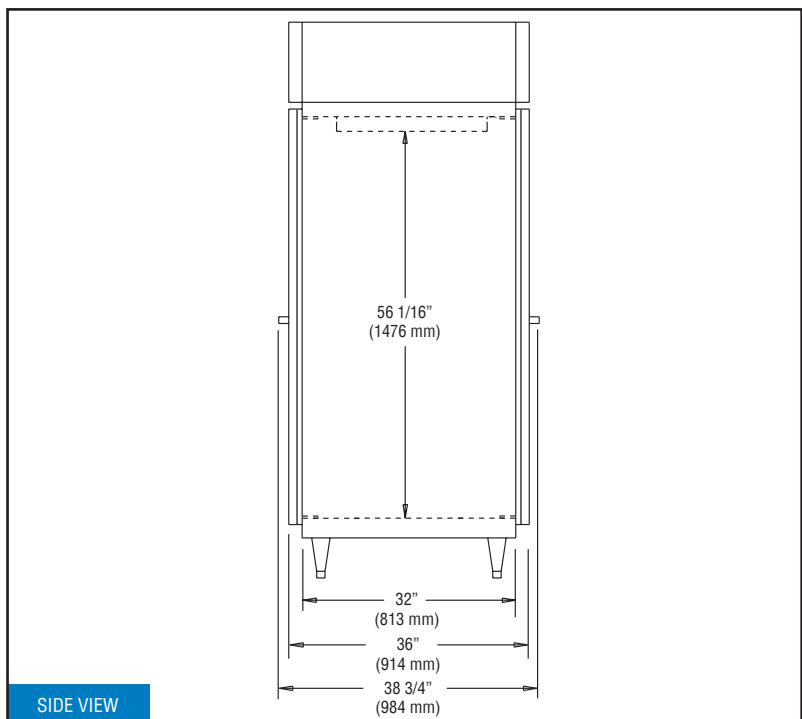
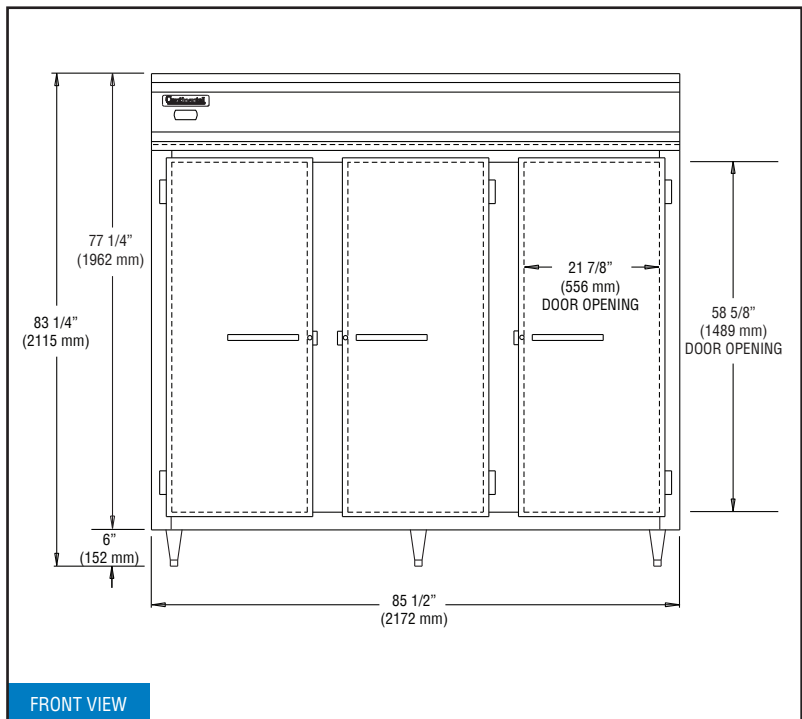
Voltage (International)	115/208-230/60/1 (220/50/1)
Feed Wires (including ground)	4
Total Amps (International)	14.3 (11.8) / 9.6 (4.8)
Defrost Amps (International)	9.6 (4.8)
10 ft. Cord/Plug (International)	No (No)

SHIPPING DATA

Height - Crated (inches)	85 ½ (2172 mm)
Width - Crated (inches)	90 (2286 mm)
Depth - Crated (inches)	42 (1067 mm)
Volume - Crated (cubic feet)	187 (3766 cu l)
Weight Std - Crated (pounds)	885 (401 kg)
Weight SS - Crated (pounds)	1000 (454 kg)
Weight Std - Uncrated (pounds)	675 (306 kg)
Weight SS - Uncrated (pounds)	790 (358 kg)

* Rating @ -15°F evaporator, 90°F ambient
Figures in parentheses reflect metric equivalents rounded to the nearest whole unit.

Model Plan Views



IMPORTANT NOTE: If the cabinet is located directly against a wall and/or under a low ceiling, a minimum clearance of 12" is required on top and 3" on sides.



Toll-Free: 800-523-7138
Phone: 215-244-1400
Fax: 215-244-9579

539 Dunksferry Road
Bensalem, PA 19020
www.continentalrefrigerator.com

Due to our continued efforts in developing innovative products, specifications subject to change without notice.

