

REACH-IN FREEZER (0°F)

Model: DL3FE

Designer line

3-Section Extra-Wide Reach-In Freezer

DL3FE - Stainless steel front, aluminum end panels and interior
DL3FE-SA - Stainless steel exterior, aluminum interior
DL3FE-SS - Stainless steel exterior and interior



Options and Accessories

(upcharge and lead times may apply)

| | |
|---------------------------------------|--------------------------------------------------------------------------------------------------------|
| Stainless steel case back | Casters |
| Additional epoxy coated steel shelves | Pan slide assemblies |
| Chrome or stainless steel shelves | Custom laminates |
| Pass-thru (consult factory) | Special electrical req. (consult factory) |
| Shallow depth (consult factory) | Correctional Facility Options |
| Half doors | <ul style="list-style-type: none"> One way security screws |
| Hinged glass door (consult factory) | <ul style="list-style-type: none"> Locking hasp (lock not included) |
| Rehinging of doors (consult factory) | <ul style="list-style-type: none"> Stainless steel mesh cover Coverless hinges |

Consult factory for other model configurations, options and accessories.

Continental
 Refrigerator

Toll-Free: 800-523-7138
 Phone: 215-244-1400
 Fax: 215-244-9579

539 Dunksferry Road
 Bensalem, PA 19020
www.continentalrefrigerator.com

Project Name:

Model Specified:

Location:

Item No:

Quantity:

AIA #:

SIS #:

Standard Model Features

REFRIGERATION SYSTEM

Self contained, performance rated "plug" refrigeration system

Natural, environmentally safe, high efficiency R-290 refrigerant¹

Refrigeration system is readily accessible on top of cabinet, separate from the "food zone"

Automatic, hot gas condensate evaporator

Expansion valve system

Standard operating temperature is 0 to -5°F and can be adjusted to operate as low as -10°F in a 90°F ambient.

CABINET ARCHITECTURE

3" non-CFC polyurethane foam insulation

Smooth, polished chrome workflow door handles

Cam action, lift off hinges

Self-closing doors

Magnetic snap-in Santoprene™ door gaskets

Cylinder lock in each door

Heavy duty pilaster strips

Heavy duty, epoxy coated steel shelves

Adjustable 6" stainless steel legs

MODEL FEATURES

LED interior lighting

Electronic controller with digital display & hi-low alarm

Automatic electric defrost

Top and side air distribution ducts

Cabinet upper side panels and refrigeration "plug" system can be removed and reinstalled at job site

¹ R-290 refrigerant meets all federal and state regulatory requirements.

APPROVAL:

Model Specifications

DIMENSIONAL DATA

| | |
|-------------------------------------------------|------------------|
| Net Capacity (cubic feet) | 75 (2124 cu l) |
| Width, Overall (inches) | 85 1/2 (2172 mm) |
| Depth, Overall (inches) (including handles) | 35 3/8 (899 mm) |
| Depth (inches) (less doors) | 32 (813 mm) |
| Depth (inches) (doors open 90°) | 58 (1473 mm) |
| Clear Door Width (inches) | 21 7/8 (556 mm) |
| Clear Door Height (inches) | 58 5/8 (1489 mm) |
| Height, Overall (inches) (including 6" legs) | 83 1/4 (2115 mm) |
| Number of Doors | 3 |
| Number of Shelves | 9 |
| Shelf Area (square feet) | 61.2 (5.7 sq m) |
| Tray Slide Capacity (per section) | 24 |

REFRIGERANT DATA

| | |
|-----------------------------|------|
| Condensing Unit Size (H.P.) | 3/4 |
| Capacity (BTU per hour)* | 3575 |

ELECTRICAL DATA

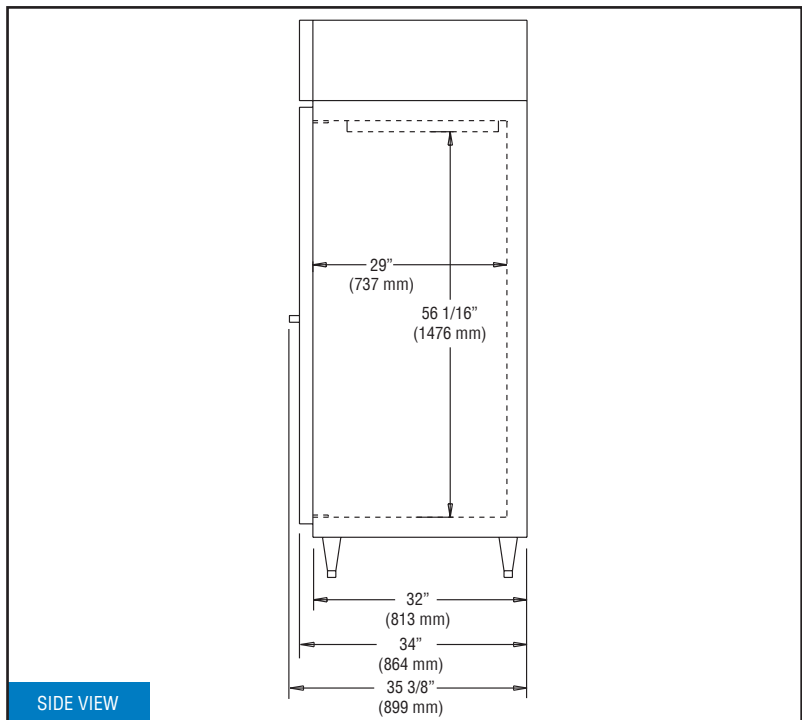
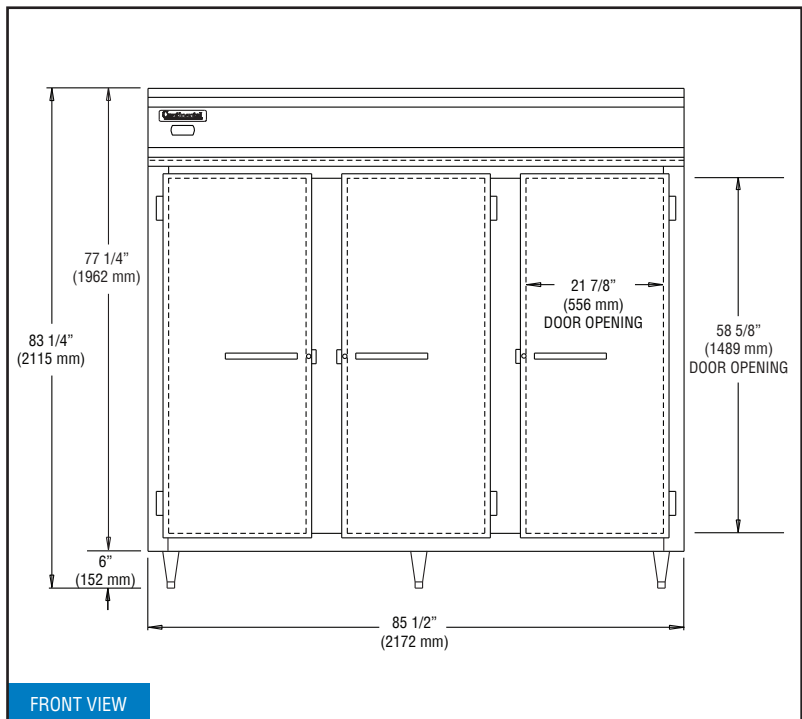
| | |
|----------------------------------|--------------------------------|
| Voltage (International) | 115/208-230/60/1 (220/50/1) |
| Feed Wires (including ground) | 4 |
| Total Amps (International) | 11.9 (10.7) |
| Defrost Amps (International) | 9.6 (4.8) |
| 10 ft. Cord/Plug (International) | No (No) |

SHIPPING DATA

| | |
|------------------------------|------------------|
| Height - Crated (inches) | 85 1/2 (2172 mm) |
| Width - Crated (inches) | 90 (2286 mm) |
| Depth - Crated (inches) | 42 (1067 mm) |
| Volume - Crated (cubic feet) | 187 (5295 cu l) |
| Weight Std - Crated (pounds) | 860 (390 kg) |
| Weight SS - Crated (pounds) | 925 (420 kg) |

* Rating @ -15°F evaporator, 90°F ambient
Figures in parentheses reflect metric equivalents rounded to the nearest whole unit.

Model Plan Views



IMPORTANT NOTE: If the cabinet is located directly against a wall and/or under a low ceiling, a minimum clearance of 12" is required on top and 3" on sides and rear.



Toll-Free: 800-523-7138
Phone: 215-244-1400
Fax: 215-244-9579

539 Dunksferry Road
Bensalem, PA 19020
www.continentalrefrigerator.com

Due to our continued efforts in developing innovative products, specifications subject to change without notice.

