

DISPLAY REFRIGERATOR

Model: 2RSNSGDHD

Natural Refrigerant R-290 Model

2-Section Display Reach-In Refrigerator with Half Sliding Glass Doors - Shallow Depth

2RSNSGDHD - Stainless steel front, aluminum end panels and interior

2RSNSASGDHD - Stainless steel exterior, aluminum interior

2RSNSSGDHD - Stainless steel exterior and interior



Options and Accessories

(upcharge and lead times may apply)

Stainless steel case back	Wine rack
Add'l epoxy-coated steel shelves	Adjustable legs
Chrome or stainless steel shelves	Special electrical req. (consult factory)
Heavy-duty pilaster strips	

Consult factory for other model configurations, options and accessories.

Continental
Refrigerator

Toll-Free: 800-523-7138
Phone: 215-244-1400
Fax: 215-244-9579

539 Dunksferry Road
Bensalem, PA 19020
www.continentalrefrigerator.com

Project Name:

Model Specified:

Location:

Item No:

Quantity:

AIA #:

SIS #:

Standard Model Features

REFRIGERATION SYSTEM

Self contained, performance-rated refrigeration system

Natural, environmentally-safe, high-efficiency R-290 refrigerant¹

Automatic, electric condensate evaporator

Expansion valve system

CABINET ARCHITECTURE

3" non-CFC polyurethane foam insulation

Double-pane, tempered sliding glass doors

Self-closing doors

Snap-in door wipers

Door locks

Heavy-duty, epoxy-coated steel shelves

High efficiency Black PVC frames

5" casters

MODEL FEATURES

LED interior lighting

Electronic controller w/digital display & hi-low alarm

¹ R-290 refrigerant meets all federal and state regulatory requirements.

APPROVAL:

Model Specifications

DIMENSIONAL DATA

Net Capacity (cu. ft.)	32 (906 cu l)
Width, Overall (in.)	52 (1321 mm)
Depth, Overall (in.) (incl. grill)	27 7/8 (708 mm)
Depth (in.) (less grill)	25 7/8 (657 mm)
Clear Door Width (in.)	17 3/4 (451 mm)
Clear Half Door Height (in.)	26 7/8 (699 mm)
Height, Overall (in.) (incl. 5" casters)	82 1/4 (2096 mm)
No. of Doors	4
No. of Shelves	8
Shelf Area (sq. ft.)	40.8 (3.8 sq m)

REFRIGERANT DATA

Condensing Unit Size (H.P.)	1/3+
Capacity (BTU/Hr)*	2560

ELECTRICAL DATA

Voltage (int'l)	115/60/1 (220/50/1)
Feed Wires (incl. ground)	3
Total Amps (int'l)	7.9 (5.1)
10 ft. Cord/Plug [attached] (int'l)	Yes (No)

SHIPPING DATA

Height - Crated (in.)	85 1/2 (2172 mm)
Width - Crated (in.)	64 (1626 mm)
Depth - Crated (in.)	42 (1067 mm)
Volume - Crated (cu. ft.)	133 (3766 cu l)
Weight Std - Crated (lbs.)	469 (213 kg)
Weight SS - Crated (lbs.)	600 (272 kg)

* Rating @ +25°F evaporator, 90°F ambient

Figures in parentheses reflect metric equivalents rounded to the nearest whole unit.



Equipped with one NEMA-5-15P Plug
(varies by country)

Continental
Refrigerator

Toll-Free: 800-523-7138
Phone: 215-244-1400
Fax: 215-244-9579

539 Dunksferry Road
Bensalem, PA 19020
www.continentalrefrigerator.com

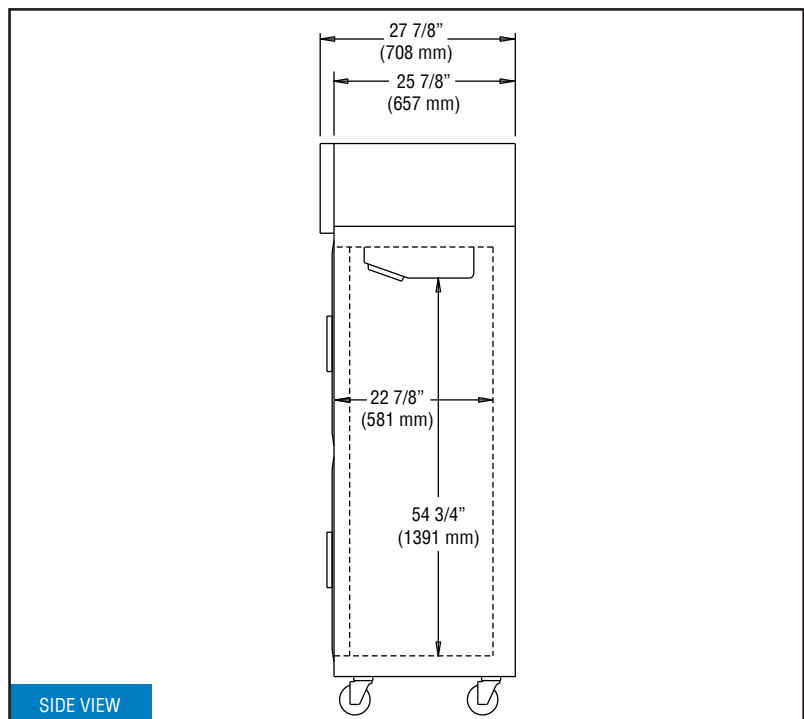
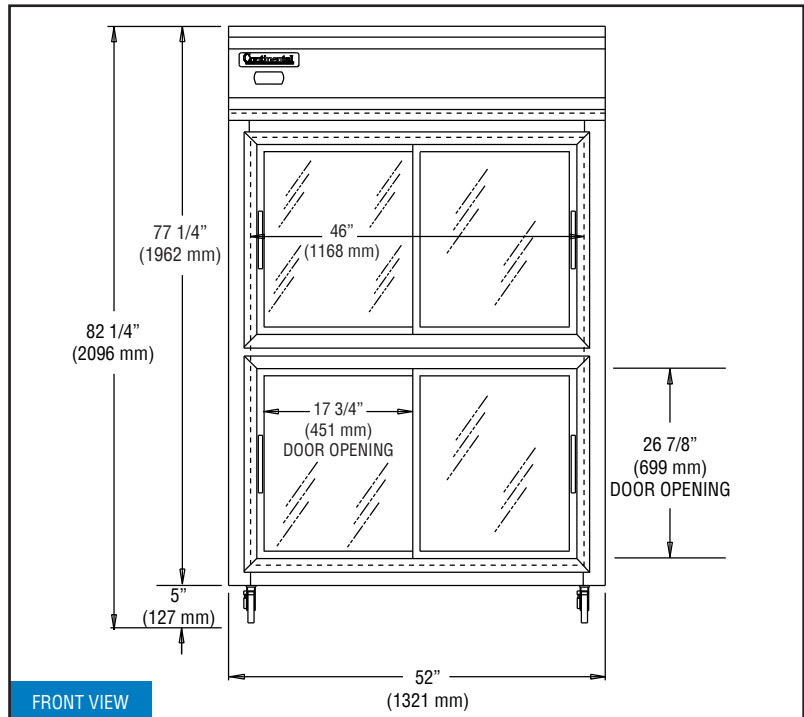
Due to our continued efforts in developing innovative products, specifications subject to change without notice.



MADE IN THE U.S.A.

© Copyright 2020. Continental Refrigerator.
A Division of National Refrigeration & Air Conditioning Products, Inc.

Model Plan Views



IMPORTANT NOTE: If the cabinet is located directly against a wall and/or under a low ceiling, a minimum clearance of 12" is required on top and 3" on sides and rear.