

DESIGNER LINE REFRIGERATOR

Model: D2RNPT

Natural Refrigerant R-290 Model

Designer Line

2-Section Pass-Thru Refrigerator



ENERGY STAR® Qualified Commercial Refrigerator

D2RNPT - Stainless steel front, aluminum end panels and interior

D2RNSAPT - Stainless steel exterior, aluminum interior

D2RNSST - Stainless steel exterior and interior



Options and Accessories

(upcharge and lead times may apply)

Stainless steel case back	Half doors
Add'l epoxy-coated steel shelves	Hinged glass doors (consult factory)
Chrome or stainless steel shelves	Special electrical req. (consult factory)
Rehinging of doors (consult factory)	Correctional Facility Options
Pan slide assemblies	• One way security screws
Wine rack	• Locking hasp (lock not included)
Casters	• Stainless steel mesh cover
Custom laminates	• Coverless hinges

Consult factory for other model configurations, options and accessories.

Continental
Refrigerator

Toll-Free: 800-523-7138
Phone: 215-244-1400
Fax: 215-244-9579

539 Dunksferry Road
Bensalem, PA 19020
www.continentalrefrigerator.com

Project Name:

Model Specified:

Location:

Item No:

Quantity:

AIA #:

SIS #:

Standard Model Features

REFRIGERATION SYSTEM

Self contained, performance-rated "plug" refrigeration system

Natural, environmentally-safe, high-efficiency R-290 refrigerant¹

Refrigeration system is readily accessible on top of cabinet, separate from the "food zone"

Automatic, hot gas condensate evaporator

Expansion valve system

CABINET ARCHITECTURE

3" non-CFC polyurethane foam insulation

Smooth, polished chrome workflow door handles

Cam action, lift off hinges

Self-closing doors

Magnetic snap-in door gaskets

Cylinder lock in each door

Heavy-duty, epoxy-coated steel shelves

Adjustable 6" stainless steel legs

MODEL FEATURES

LED interior lighting

Electronic controller w/digital display & hi-low alarm

Top and side air distribution ducts

Cabinet upper side panels and refrigeration "plug" system can be removed and reinstalled at job site

¹ R-290 refrigerant meets all federal and state regulatory requirements.

APPROVAL:

Model Specifications

DIMENSIONAL DATA

Net Capacity (cu. ft.)	50 (1416 cu l)
Width, Overall (in.)	52 (1321 mm)
Depth, Overall (in.) (incl. handles)	38 3/4 (984 mm)
Depth (in.) (less doors)	32 (813 mm)
Depth (in.) (doors open 90°)	79 (2007 mm)
Clear Door Width (in.)	19 3/8 (492 mm)
Clear Door Height (in.)	58 5/8 (1489 mm)
Height, Overall (in.) (incl. 6" legs)	83 1/4 (2115 mm)
No. of Doors	4
No. of Shelves	6
Shelf Area (sq. ft.)	40.8 (3.8 sq m)
Tray Slide Capacity (per section)	24

REFRIGERANT DATA

Condensing Unit Size (H.P.)	1/3+
Capacity (BTU/Hr)*	2560

ELECTRICAL DATA

Voltage (int'l)	115/60/1 (220/50/1)
Feed Wires (incl. ground)	3
Total Amps (int'l)	6.9 (4.9)
10 ft. Cord/Plug [attached] (int'l)	Yes (No)

SHIPPING DATA

Height - Crated (in.)	85 1/2 (2172 mm)
Width - Crated (in.)	64 (1626 mm)
Depth - Crated (in.)	42 (1067 mm)
Volume - Crated (cu. ft.)	133 (3766 cu l)
Weight Std - Crated (lbs.)	595 (270 kg)
Weight SS - Crated (lbs.)	625 (283 kg)

* Rating @ +25°F evaporator, 90°F ambient

Figures in parentheses reflect metric equivalents rounded to the nearest whole unit.



Equipped with one NEMA-5-15P Plug
(varies by country)

Continental
Refrigerator

Toll-Free: 800-523-7138
Phone: 215-244-1400
Fax: 215-244-9579

539 Dunkserry Road
Bensalem, PA 19020
www.continentalrefrigerator.com

Due to our continued efforts in developing innovative products, specifications subject to change without notice.



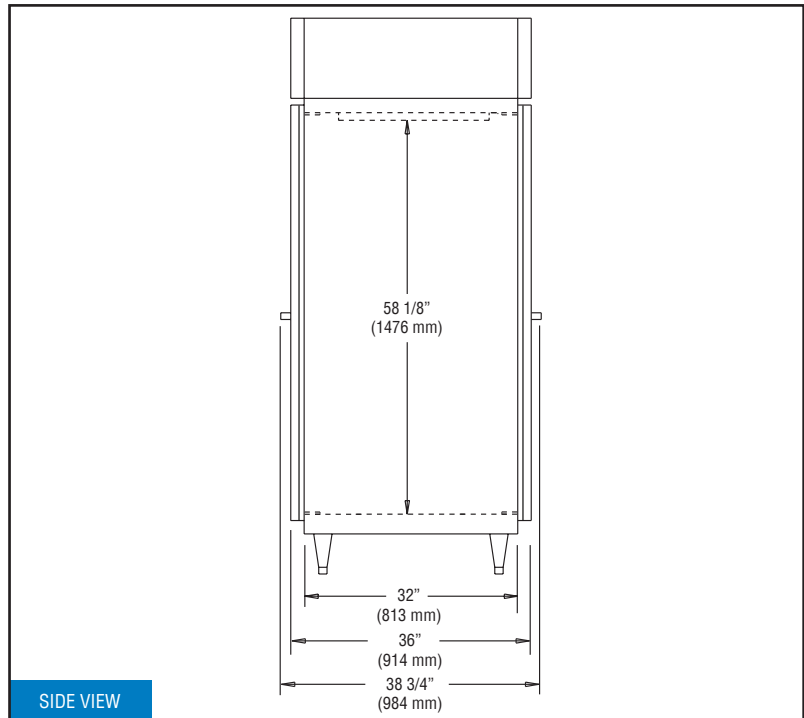
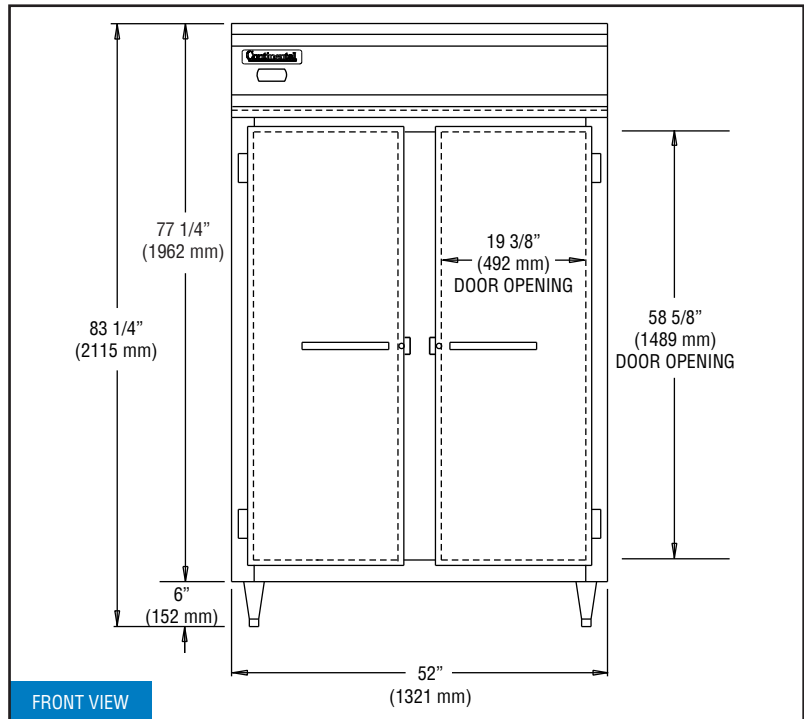
Intertek



MADE IN THE U.S.A.

© Copyright 2019, Continental Refrigerator.
A Division of National Refrigeration & Air Conditioning Products, Inc.

Model Plan Views



IMPORTANT NOTE: If the cabinet is located under a low ceiling, a **minimum clearance of 12"** is required on top and 3" on sides.