

## DESIGNER LINE UNDERCOUNTER FREEZER (0°F)

### Model: DF32N-U

Natural Refrigerant R-290 Model

*Designer line*

## 32" Undercounter Freezer with Solid Door

Stainless steel front, top, end panels and interior, aluminum back.



### Options and Accessories

(upcharge and lead times may apply)

Stainless steel back	Door lock
Add'l epoxy-coated steel shelves	Special electrical requirements (consult factory)
Stainless steel shelves	

Consult factory for other model configurations, options and accessories.

Project Name:

Model Specified:

Location:

Item No:

Quantity:

AIA #:

SIS #:

### Standard Model Features

#### REFRIGERATION SYSTEM

Performance-rated refrigeration system

Natural, environmentally-safe,  
high-efficiency R-290 refrigerant<sup>1</sup>

Automatic, energy saving, non-electric  
condensate evaporator

Non-corrosive, plasticized fin evaporator coil

Easily serviceable, back mounted compressor

#### CABINET ARCHITECTURE

2" non-CFC polyurethane foam insulation

Smooth, polished chrome door handle

Spring loaded, self closing door

Magnetic snap-in door gasket

Heavy-duty, epoxy-coated steel shelf

Completely enclosed, vented and removable case back

1 3/8" diameter plate casters (factory installed)

#### MODEL FEATURES

Electronic controller w/digital display & hi-low alarm

Field rehingeable door

Automatic electric defrost

2" high, bottom mounted front breather air divider

<sup>1</sup> R-290 refrigerant meets all federal and state regulatory requirements.

**Continental**<sup>®</sup>  
Refrigerator

Toll-Free: 800-523-7138  
Phone: 215-244-1400  
Fax: 215-244-9579

539 Dunksferry Road  
Bensalem, PA 19020  
www.continentalrefrigerator.com

APPROVAL:

## Model Specifications

### DIMENSIONAL DATA

Net Capacity (cu. ft.)	9.0 (253 cu l)
Width, Overall (in.)	32 (813 mm)
Depth, Overall (in.) (incl. handle & bumpers)	32 3/16 (818 mm)
Height, Overall (in.) (incl. 1 3/8" plate casters)	31 13/16 (808 mm)
Shelf Area (sq. ft.)	3.9 (.4 sq m)
No. of Shelves	1
No. of Doors	1
Interior Depth (in.)	See Drawing
Interior Height (in.)	26 1/4 (667 mm)
Interior Width (in.)	28 (711 mm)

### REFRIGERANT DATA

Condensing Unit Size (H.P.)	1/3
Capacity (BTU/Hr)*	1800

### ELECTRICAL DATA

Voltage (int'l)	115/60/1 (220/50/1)
Total Amps (int'l)	5.6 (3.3)
Defrost Amps (int'l)	4.8 (2.4)
10 ft. Cord/Plug [attached] (int'l)	Yes (No)

### SHIPPING DATA

Weight (lbs.)	240 (109 kg)
Height - Crated (in.)	43 1/4 (1099 mm)
Width - Crated (in.)	40 (1016 mm)
Depth - Crated (in.)	37 1/4 (946 mm)

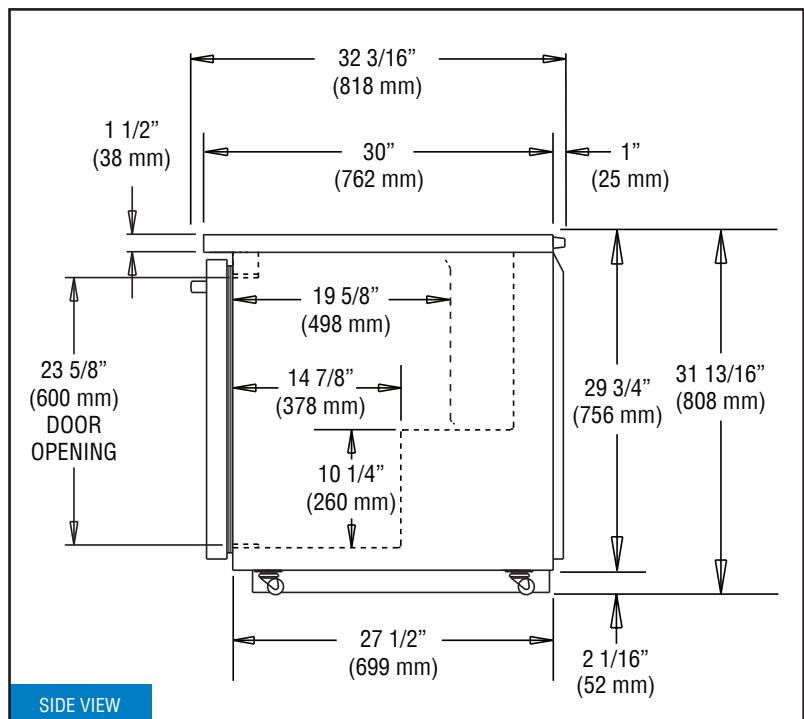
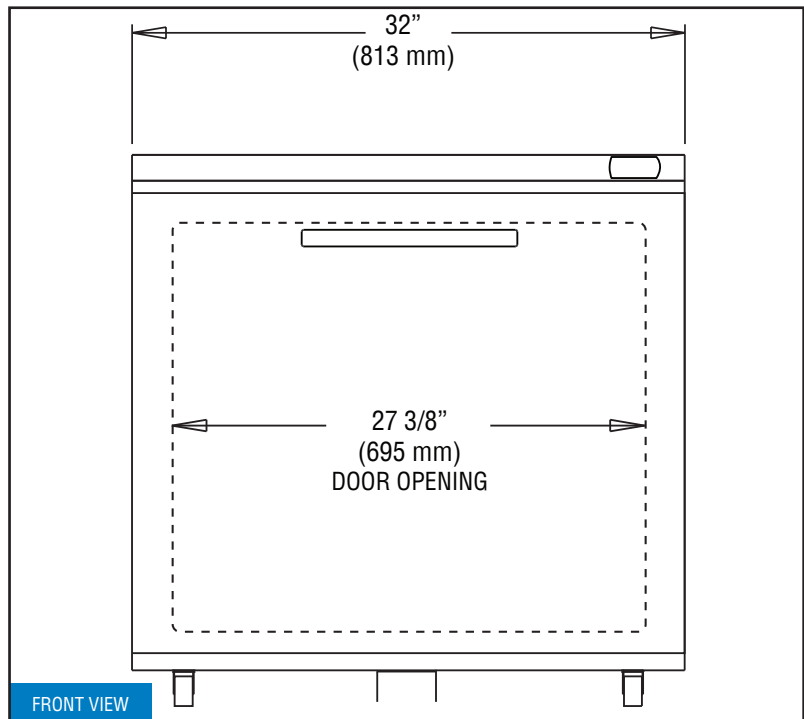
\* Rating @ -15°F evaporator, 90°F ambient

Figures in parentheses reflect metric equivalents rounded to the nearest whole unit.



Equipped with one NEMA-5-15P Plug  
(varies by country)

## Model Plan Views



**NOTE:** For proper operation, the area under and in front of the cabinet **must** not be obstructed in any way.

**Continental**  
Refrigerator

Toll-Free: 800-523-7138  
Phone: 215-244-1400  
Fax: 215-244-9579

539 Dunkserry Road  
Bensalem, PA 19020  
[www.continentalrefrigerator.com](http://www.continentalrefrigerator.com)

Due to our continued efforts in developing innovative products, specifications subject to change without notice.



MADE IN THE U.S.A.

© Copyright 2019, Continental Refrigerator.  
A Division of National Refrigeration & Air Conditioning Products, Inc.

DF32N-U (6/15/19)