

BACK BAR EQUIPMENT

Model: **KC59SNSS**

Natural Refrigerant R-290 Model

59" Keg Cooler - Shallow Depth

Stainless steel exterior, countertop, interior back and side panels with reinforced stainless steel floor.



Options and Accessories

(upcharge and lead times may apply)

| | |
|---|-------------------------------|
| Epoxy-coated or stainless steel shelves | Faucet lock |
| Glass doors in lieu of solid doors | Riser base* (field installed) |
| Food storage rated stainless steel interior (NSF-7) | Condensing unit on right |
| Single, dual or triple faucets | Wine rack |
| Tower placement (consult factory) | Casters or legs |

Consult factory for other model configurations, options and accessories.

* Adding a Riser Base increases overall height 2"

Project Name:

Model Specified:

Location:

Item No:

Quantity:

AIA #:

SIS #:

Standard Model Features

REFRIGERATION SYSTEM

Performance-rated front breathing refrigeration system

Natural, environmentally-safe, high-efficiency R-290 refrigerant¹

Automatic, hot gas condensate evaporator

Extra large, balanced evaporator coil

CABINET ARCHITECTURE

High density, non-CFC polyurethane foamed-in-place insulation

Front, rear and side venting louvered grills

Magnetic snap-in door gaskets

Cylinder-keyed security lock in each door

Stainless steel reinforced threshold

MODEL FEATURES

Low profile cabinet design

Electronic controller w/digital display & hi-low alarm

Continuously cooled, 3" diameter beer column with lever faucet, CO₂ pressure relief distributor and CO₂ tubing with clamps

Easily removable stainless steel drip grate with convenient front-mounted cleanout drainage hose (pan not removable)

Easily accessible and serviceable slide-out condensing unit

¹ R-290 refrigerant meets all federal and state regulatory requirements.

Continental
Refrigerator

Toll-Free: 800-523-7138
Phone: 215-244-1400
Fax: 215-244-9579

539 Dunksferry Road
Bensalem, PA 19020
www.continentalrefrigerator.com

APPROVAL:

Model Specifications

DIMENSIONAL DATA

| | |
|---|------------------|
| Net Capacity (cu. ft.) | 15 (425 cu l) |
| Width, Overall (in.) | 59 (1499 mm) |
| Depth, Overall (in.) (incl. handles & bumpers) | 25 3/16 (640 mm) |
| Depth, Body Only (in.) (less doors) | 21 (533 mm) |
| Height, Overall (in.) (not incl. columns) | 34 3/4 (883 mm) |
| Capacity: # Barrel Kegs | 2 |
| Capacity: # Straight Wall Kegs | 2 |
| Capacity : # 1/6 Size Kegs | 8 |
| No. of Doors | 2 |
| No. of Beer Columns (with single faucets) | 2 |

REFRIGERANT DATA

| | |
|-----------------------------|------|
| Condensing Unit Size (H.P.) | 1/4 |
| Capacity (BTU/Hr)* | 2025 |

ELECTRICAL DATA

| | |
|-------------------------------------|---------------------|
| Voltage (int'l) | 115/60/1 (220/50/1) |
| Feed Wires (incl. ground) | 3 |
| Total Amps (int'l) | 3.7 (3.4) |
| 10 ft. Cord/Plug [attached] (int'l) | Yes (No) |

SHIPPING DATA

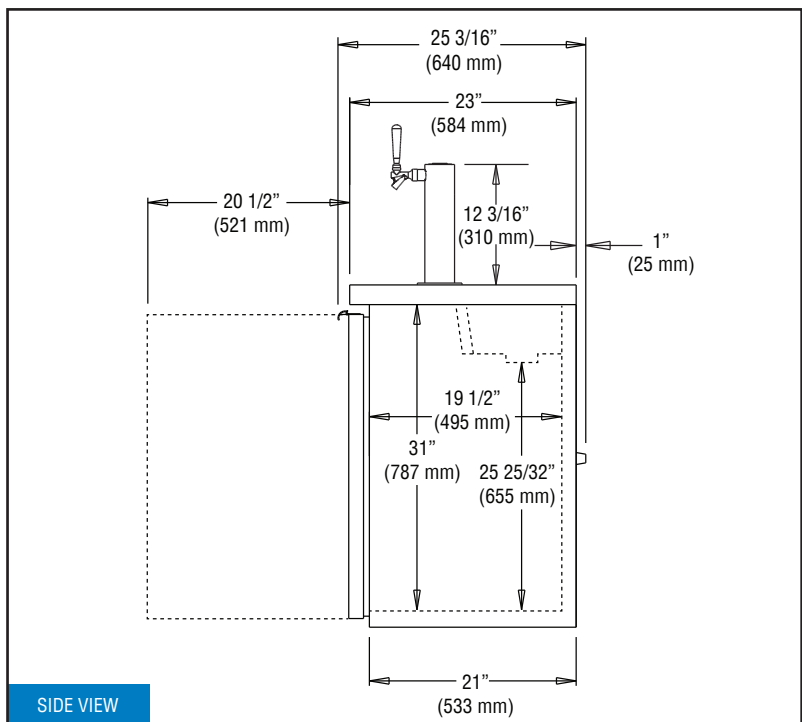
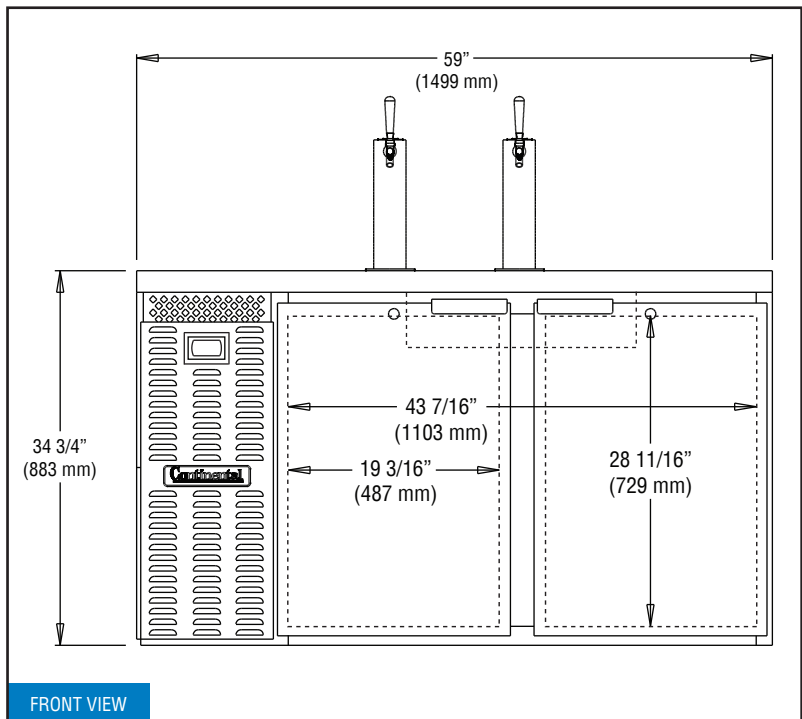
| | |
|-----------------------|--------------|
| Weight (lbs.) | 405 (184 kg) |
| Height - Crated (in.) | 46 (1168 mm) |
| Width - Crated (in.) | 65 (1651 mm) |
| Depth - Crated (in.) | 42 (1067 mm) |

* Rating @ +25°F evaporator, 90°F ambient
 Figures in parentheses reflect metric equivalents rounded to the nearest whole unit.



Equipped with one NEMA-5-15P Plug
(varies by country)

Model Plan Views



IMPORTANT NOTE: Models are completely front breathing and take in and exhaust air through the front grill. For proper operation, the area in front of the cabinet **must** not be obstructed in any way. A clearance of 1" on the back and 3" on the sides is recommended.

Continental
Refrigerator

Toll-Free: 800-523-7138
 Phone: 215-244-1400
 Fax: 215-244-9579

539 Dunkserry Road
 Bensalem, PA 19020
www.continentalrefrigerator.com

Due to our continued efforts in developing innovative products, specifications subject to change without notice.



Intertek



MADE IN THE U.S.A.

© Copyright 2019, Continental Refrigerator.
 A Division of National Refrigeration & Air Conditioning Products, Inc.