

# UNDERCOUNTER REFRIGERATOR

## Model: SW32N-U-D

Natural Refrigerant R-290 Model

### 32" Undercounter Refrigerator with Drawers

Stainless steel front, top and end panels, aluminum back and interior.



#### Options and Accessories

(upcharge and lead times may apply)

|                          |  |
|--------------------------|--|
| Stainless steel interior | Drawers locks  |
| Stainless steel back     | Special electrical requirements<br>(consult factory) |

Consult factory for other model configurations, options and accessories.

Project Name:

Model Specified:

Location:

Item No:

Quantity:

AIA #:

SIS #:

#### Standard Model Features

##### REFRIGERATION SYSTEM

Performance-rated refrigeration system

Natural, environmentally-safe, high-efficiency R-290 refrigerant<sup>1</sup>

Automatic, hot gas condensate evaporator

Non-corrosive, plasticized fin evaporator coil

Easily serviceable, back mounted compressor

##### CABINET ARCHITECTURE

2" non-CFC polyurethane foam insulation

Smooth, polished chrome drawer handles

Stainless steel roll-out drawers

Magnetic snap-in drawer gaskets

Completely enclosed, vented and removable case back

1 3/8" diameter plate casters (factory installed)

##### MODEL FEATURES

Electronic controller w/digital display & hi-low alarm

2" high, bottom mounted front breather air divider

<sup>1</sup> R-290 refrigerant meets all federal and state regulatory requirements.

**Continental**  
Refrigerator

Toll-Free: 800-523-7138  
Phone: 215-244-1400  
Fax: 215-244-9579

539 Dunksferry Road  
Bensalem, PA 19020  
www.continentalrefrigerator.com

APPROVAL:

## Model Specifications

### DIMENSIONAL DATA

|   |                   |
|---|-------------------|
| Net Capacity (cu. ft.)                                | 9.0 (253 cu l)    |
| Width, Overall (in.)                                  | 32 (813 mm)       |
| Depth, Overall (in.)<br>(incl. handles & bumpers)     | 32 3/16 (818 mm)  |
| Height, Overall (in.)<br>(incl. 1 3/8" plate casters) | 31 13/16 (808 mm) |
| No. of Drawers (two tier)                             | 2                 |

### REFRIGERANT DATA

|                             |      |
|-----------------------------|------|
| Condensing Unit Size (H.P.) | 1/5  |
| Capacity (BTU/Hr)*          | 1625 |

### ELECTRICAL DATA

|                                     |                     |
|-------------------------------------|---------------------|
| Voltage (int'l)                     | 115/60/1 (220/50/1) |
| Total Amps (int'l)                  | 2.46 (1.85)         |
| 10 ft. Cord/Plug [attached] (int'l) | Yes (No)            |

### SHIPPING DATA

|                       |                  |
|-----------------------|------------------|
| Weight (lbs.)         | 221 (100 kg)     |
| Height - Crated (in.) | 43 1/4 (1099 mm) |
| Width - Crated (in.)  | 40 (1016 mm)     |
| Depth - Crated (in.)  | 37 1/4 (946 mm)  |

### DRAWER PAN CONFIGURATIONS

**Two Tier:** (1) 12 x 20 x 6 pan per drawer  
or (1) 1/2 size x 6 & (2) 1/3 x 6 pans per drawer

\* Rating @ +25°F evaporator, 90°F ambient

Figures in parentheses reflect metric equivalents rounded to the nearest whole unit.



Equipped with one NEMA-5-15P Plug  
(varies by country)

**Continental**  
Refrigerator

Toll-Free: 800-523-7138  
Phone: 215-244-1400  
Fax: 215-244-9579

539 Dunkserry Road  
Bensalem, PA 19020  
[www.continentalrefrigerator.com](http://www.continentalrefrigerator.com)

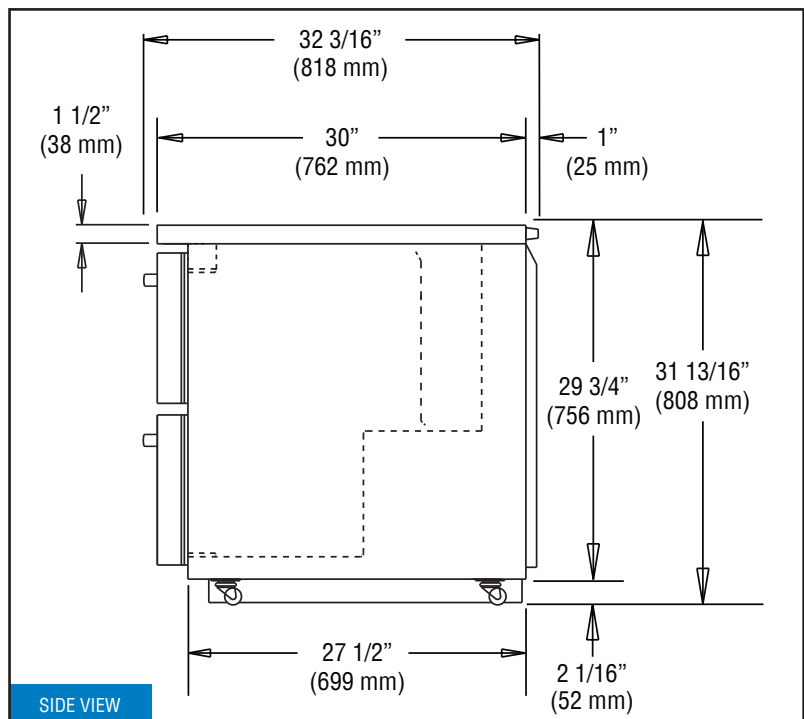
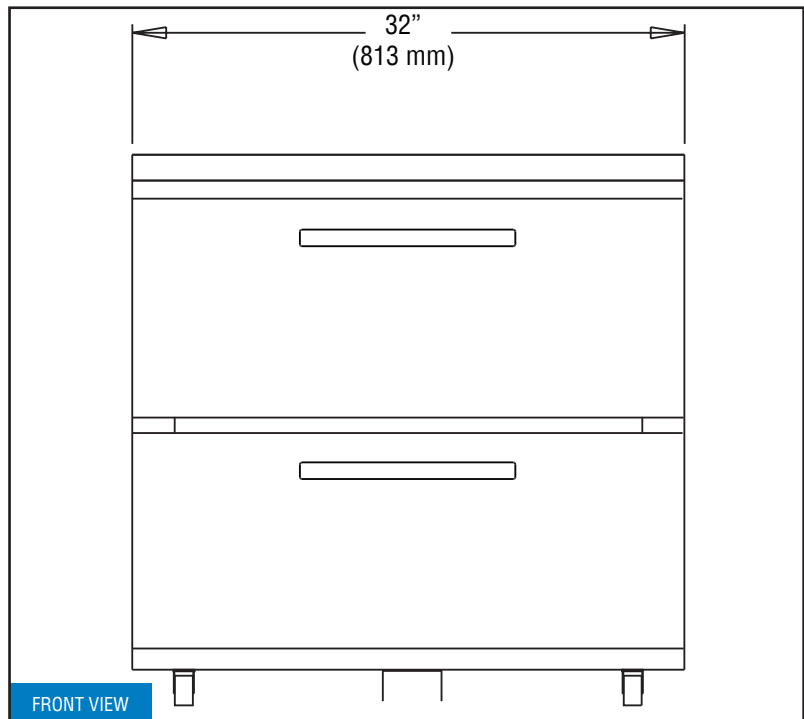
Due to our continued efforts in developing innovative products, specifications subject to change without notice.



MADE IN THE U.S.A.

© Copyright 2020. Continental Refrigerator.  
A Division of National Refrigeration & Air Conditioning Products, Inc.

## Model Plan Views



**NOTE:** For proper operation, the area under and in front of the cabinet **must** not be obstructed in any way.