

# SANDWICH UNIT REFRIGERATOR

## Model: SW36N10C-FB

Natural Refrigerant R-290 Model

### 36" Cutting Top Sandwich Unit Refrigerator with Solid Door - 10 Pans Front Breathing

Stainless steel front, top and end panels, aluminum back and interior.



#### Options and Accessories

(upcharge and lead times may apply)

|                                  |                            |
|----------------------------------|----------------------------|
| Stainless steel interior         | Rear-mounted cutting board |
| Stainless steel back             | Composite cutting board    |
| Overshelves (single or double)   | Flat insulated night cover |
| Add'l epoxy-coated steel shelves | Vision panel lid           |
| Stainless steel shelves          | Modified pan openings      |
| Door locks                       |                            |

Consult factory for other model configurations, options and accessories.

Project Name:

Model Specified:

Location:

Item No:

Quantity:

AIA #:

SIS #:

#### Standard Model Features

##### REFRIGERATION SYSTEM

Performance-rated refrigeration system

Natural, environmentally-safe, high-efficiency R-290 refrigerant<sup>1</sup>

Unique air flow distribution allows pan product to maintain 33° - 41°F

Automatic, hot gas condensate evaporator

Non-corrosive, plasticized fin evaporator coil

Easily serviceable, back mounted compressor

##### CABINET ARCHITECTURE

2" non-CFC polyurethane foam insulation

Smooth, polished chrome door handles

Spring loaded, self closing doors

Magnetic snap-in door gaskets

Heavy-duty, epoxy-coated steel shelves

19" deep, full length nylon cutting board

Insulated lid

Completely enclosed, vented and removable case back

3 3/4" casters

##### MODEL FEATURES

(10) 1/6 size recessed pans, 4" deep

Removable interior tub below pans

Electronic controller w/digital display & hi-low alarm

Field rehingeable doors

<sup>1</sup> R-290 refrigerant meets all federal and state regulatory requirements.

*Front breathers are a unique, field assembled, bottom mounted ventilation system designed to allow cabinets to be flush against a wall or built into a counter to conserve space. For proper operation, the area under and in front of the cabinet must not be obstructed in any way.*

**Continental**<sup>®</sup>  
Refrigerator

Toll-Free: 800-523-7138  
Phone: 215-244-1400  
Fax: 215-244-9579

539 Dunksferry Road  
Bensalem, PA 19020  
[www.continentalrefrigerator.com](http://www.continentalrefrigerator.com)

APPROVAL:

## Model Specifications

### DIMENSIONAL DATA

|   |                 |
|---|-----------------|
| Net Capacity (cu. ft.)                                  | 10.3 (292 cu l) |
| 1/6 Size Pans (4" deep)                                 | 10              |
| Width, Overall (in.)                                    | 36 (914 mm)     |
| Depth, Overall (in.)<br>(incl. cutting board & bumpers) | 38 1/4 (972 mm) |
| Depth, Cutting Board (in.)                              | 19 (483 mm)     |
| Height, Overall (in.) (incl. 3 3/4" casters)            | 41 (1041 mm)    |
| Shelf Area (sq. ft.)                                    | 4.6 (.4 sq m)   |
| No. of Shelves  | 2               |
| No. of Doors  | 2               |
| Interior Depth (in.)                                    | 19 3/8 (492 mm) |
| Interior Height (in.)                                   | 26 1/4 (667 mm) |
| Interior Width (in.)                                    | 32 (813 mm)     |

### REFRIGERANT DATA

|                             |      |
|-----------------------------|------|
| Condensing Unit Size (H.P.) | 1/5  |
| Capacity (BTU/Hr)*          | 1625 |

### ELECTRICAL DATA

|                                     |                     |
|-------------------------------------|---------------------|
| Voltage (int'l)                     | 115/60/1 (220/50/1) |
| Total Amps (int'l)                  | 2.46 (1.85)         |
| 10 ft. Cord/Plug [attached] (int'l) | Yes (No)            |

### SHIPPING DATA

|                       |                  |
|-----------------------|------------------|
| Weight (lbs.)         | 254 (115 kg)     |
| Height - Crated (in.) | 43 1/4 (1099 mm) |
| Width - Crated (in.)  | 44 (1118 mm)     |
| Depth - Crated (in.)  | 37 1/4 (946 mm)  |

\* Rating @ +25°F evaporator, 90°F ambient  
Figures in parentheses reflect metric equivalents rounded to the nearest whole unit.



Equipped with one NEMA-5-15P Plug  
(varies by country)

**Continental**  
Refrigerator

Toll-Free: 800-523-7138  
Phone: 215-244-1400  
Fax: 215-244-9579

539 Dunkserry Road  
Bensalem, PA 19020  
[www.continentalrefrigerator.com](http://www.continentalrefrigerator.com)

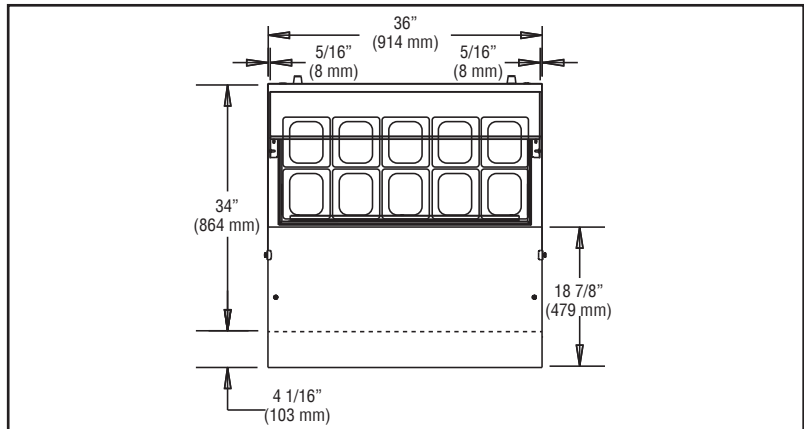
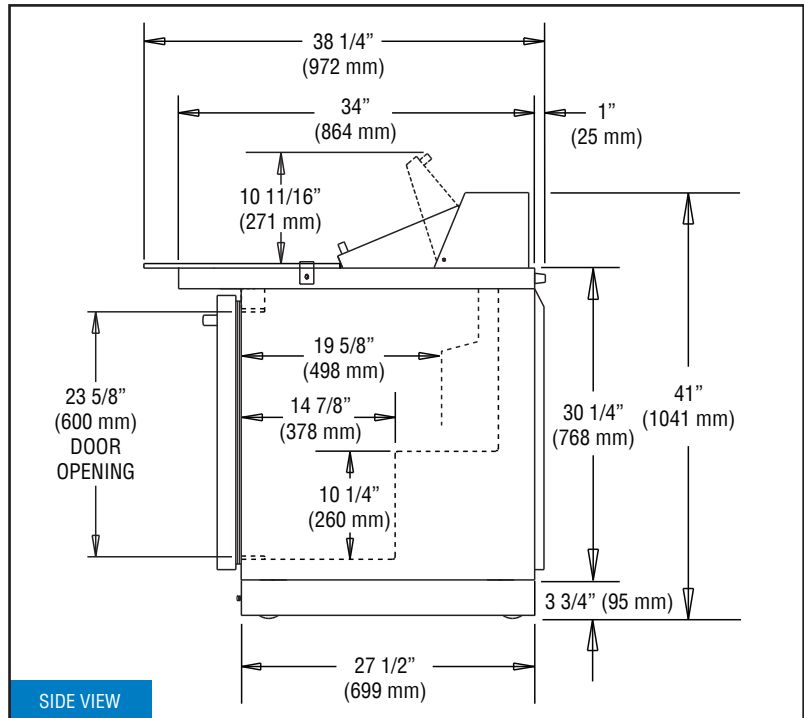
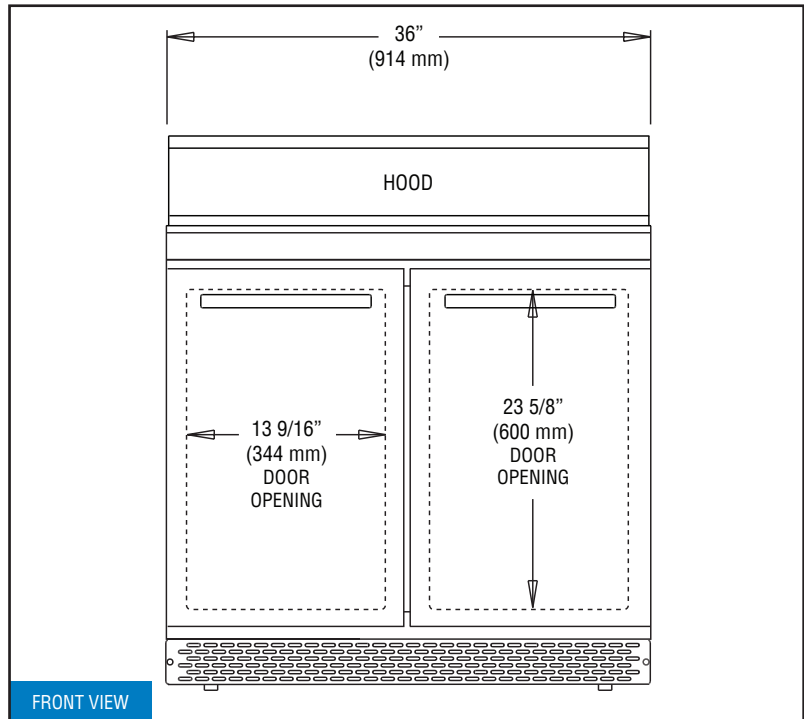
Due to our continued efforts in developing innovative products, specifications subject to change without notice.



MADE IN THE U.S.A.

© Copyright 2020. Continental Refrigerator.  
A Division of National Refrigeration & Air Conditioning Products, Inc.

## Model Plan Views



PAN TOP CONFIGURATION

SW36N10C-FB (8/10/20)